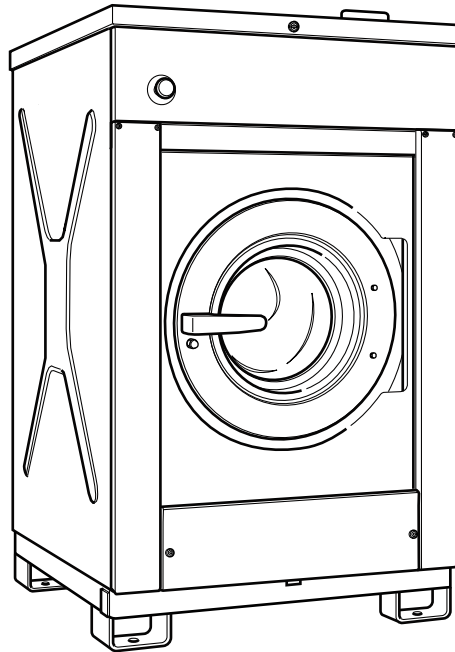


# Washer-Extractor

Cabinet Freestanding  
Refer to Page 3 for Model Numbers



CFD30C\_D1359



# Table of Contents

Title	Page
Parts Ordering Information.....	2
Nameplate Location.....	2
Model Identification.....	3
Cabinet Freestanding Washer-Extractor Product Overview.....	4
Frame.....	6
Shock Absorber.....	8
Shell and Basket.....	10
Bearing Housing.....	12
Basket, Pulley and Belt.....	14
Motor and Belt.....	16
Drain Plumbing.....	18
Door Lock.....	20
Door.....	22
Control Panel - Cygnus Professional.....	24
Control Panel - Cygnus Premium OPL and Ultra.....	26
Control Panel - Cygnus Premium Coin.....	28
Control Panel - Cygnus Standard/Commercial OPL.....	30
Control Panel - Cygnus Standard/Commercial Coin and Vended.....	32
Control Panel - WE-8.....	34
Coin Drop - Mechanical Coin Meter.....	36
Coin Drop - Electronic Coin Meter.....	38
Right Side, Front, Lower Rear and Top Panels.....	40
Left Side, Lower Front and Upper Rear Panels.....	42
Inverter Drive.....	44
Printboard Support Panel and Soap Injection Printboards - Cygnus Models.....	46
Printboard Support Panel and Soap Injection Printboards - WE-8 Models.....	48
Electrical Component Mounting Plate - Cygnus Models.....	50
Electrical Component Mounting Plate - WE-8 Models.....	52
Balance Switch.....	54
Fill Plumbing Assembly.....	56
Electric and Steam Heating Options.....	58
Parts Index.....	61

© Copyright 2013, Alliance Laundry Systems LLC

All rights reserved. No part of the contents of this book may be reproduced or transmitted in any form or by any means without the expressed written consent of the publisher.

## Parts Ordering Information

If literature or replacement parts are required, contact the source from whom the machine was purchased or contact Alliance Laundry Systems at (920) 748-3950 for the name and address of the nearest authorized parts distributor.

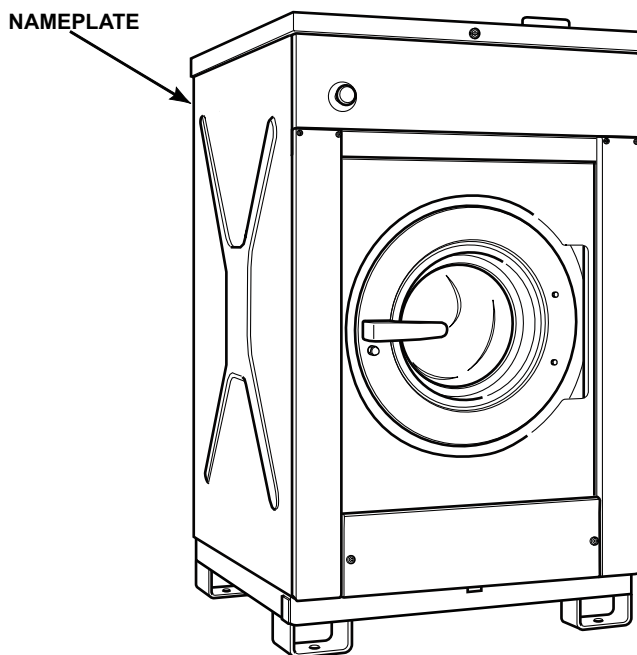
For technical assistance, call either of the numbers listed below:

(920) 748-3121 Ripon, Wisconsin

+32 56 41 20 54 Wevelgem, Belgium

## Nameplate Location

When calling or writing about your product, be sure to mention model and serial numbers. Model and serial numbers are located on nameplate(s) as shown.



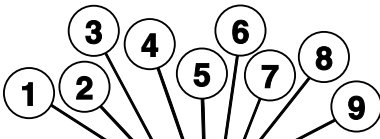
CFD30CA\_D1359

## Model Identification

Information in this manual is applicable to these washer-extractor models:



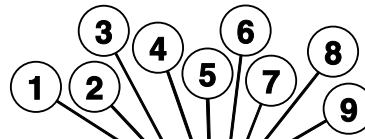
CS035_CYGNUS-ULTRA	HX35P	IXZ135C
CXE030X	HXE035P	IXZ135X
CXE030Z	HXG165P	IXZ135Y
CXE035X	HXN165P	IXZ135Z
CXE035Z	HXR035P	IXZ165C
CXG135X	HXU165P	IXZ165X
CXG135Z	HXW165P	IXZ165Y
CXG165X	HXZ165P	IXZ165Z
CXG165Z	IS035_CYGNUS-ULTRA	JXW135C
CXN135X	IS035_CYGNUS-VENDED	JXW135Y
CXN135Z	IXG135C	JXW135Z
CXN165U	IXG135X	JXW165C
CXN165X	IXG135Y	JXW165X
CXN165Z	IXG135Z	JXW165Y
CXR030X	IXG165C	JXW165Z
CXR030Z	IXG165X	PXU135Y
CXR035U	IXG165Y	PXU165Y
CXR035X	IXG165Z	SX35P
CXR035Z	IXN135C	SXE035P
CXU135X	IXN135X	SXG165P
CXU135Z	IXN135Y	SXN165P
CXU165X	IXN135Z	SXR035P
CXU165Z	IXN165C	SXU165P
CXW135X	IXN165U	SXW165P
CXW135Z	IXN165V	SXZ165P
CXW165X	IXN165X	UX35P
CXW165Z	IXN165Y	UXE035P
CXZ135X	IXN165Z	UXG165P
CXZ135Z	IXR035U	UXN165P
CXZ165X	IXU135C	UXR035P
CXZ165Z	IXU135X	UXU165P
DXU135X	IXU135Y	UXW165P
DXU165X	IXU135Z	UXZ165P
EXU135X	IXU165C	WXU135C
EXU165X	IXU165X	WXU165C
HD135_CYGNUS-COMM	IXU165Y	
HD135_CYGNUS-PREM	IXU165Z	
HD135_CYGNUS-PRO	IXW135C	
HD135_CYGNUS-STANDARD	IXW135X	
HD165_CYGNUS-COMM	IXW135Y	
HD165_CYGNUS-PREM	IXW135Z	
HD165_CYGNUS-PRO	IXW165C	
HD165_CYGNUS-STANDARD	IXW165X	
	IXW165Y	
	IXW165Z	

# Cabinet Freestanding Washer-Extractor Product Overview



Model No: <b>IXU135XNCU0E</b>	Serial No: <b>12090AE0036</b>
Volts: <b>380-415V</b>	Type: <b>HD135</b>
Hertz: <b>50(60)Hz</b>	<b>1</b> <b>3</b>
Phase: <b>3+N</b>	Capacity: <b>30/13.2 lbs/kg</b>
Amps: <b>24.3 amps</b>	Water: <b>28-85 psi</b>
Recommended Circuit Breaker: <b>25 amps</b>	Pressure: <b>2-6 bar</b>
Electrical Heating: <b>12-14. kW</b>	Max Speed: <b>1000 rpm</b>
Steam Heat: <b>N/A psi</b>	Net Weight: <b>788 lbs</b>
Sound Level: <b>62/73 dBA</b>	Weight: <b>358 kg</b>
	IPX4
	sfc 807393

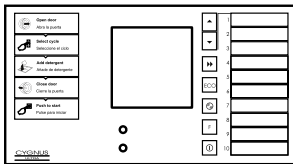
**Alliance International BVBA**  
 Nieuwstraat 146  
 8560 Wevelgem  
 Belgium  
 Tel: +32 56 41 20 54  
 Fax: +32 56 41 86 74  
 www.ipso.be  
 Country of origin: Belgium

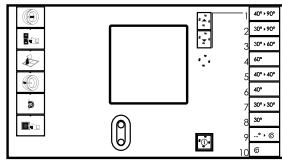
Model No: <b>IHM185SNLXUOP</b>	Serial No: <b>1209BG0043</b>
Volts: <b>200-240V</b>	Type: <b>WD185</b>
Hertz: <b>60(50)Hz</b>	<b>1</b> <b>3</b>
Phase: <b>1</b>	Capacity: <b>40/18.2 lbs/kg</b>
Amps: <b>3.5 amps</b>	Water: <b>28-85 psi</b>
Recommended Circuit Breaker: <b>15 amps</b>	Pressure: <b>2-6 bar</b>
Electrical Heating: <b>N/A kW</b>	Max Speed: <b>470 rpm</b>
Steam Heat: <b>N/A psi</b>	Net Weight: <b>618 lbs</b>
Sound Level: <b>62/73 dBA</b>	Weight: <b>281 kg</b>
	IPX4
	sfc 807410

**Alliance International BVBA**  
 Nieuwstraat 146  
 8560 Wevelgem  
 Belgium  
 Tel: +32 56 41 20 54  
 Fax: +32 56 41 86 74  
 www.ipso.be  
 Country of origin: Belgium

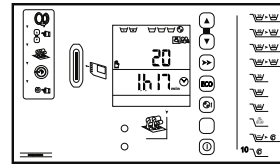




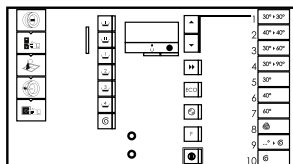
**Cygnus Ultra**



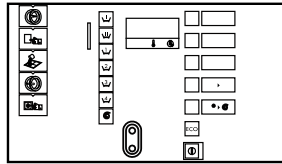
**Cygnus Premium Coin**



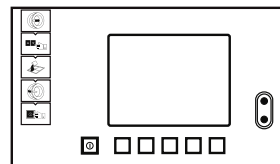
**Cygnus Premium OPL**



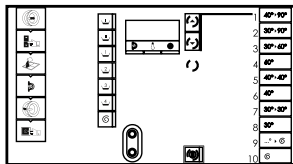
**Cygnus Commercial**



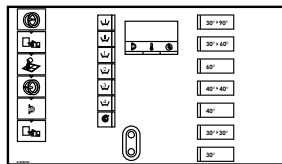
**Cygnus Standard OPL**



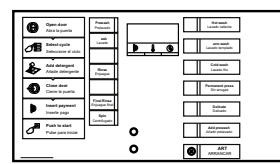
**Cygnus Professional**



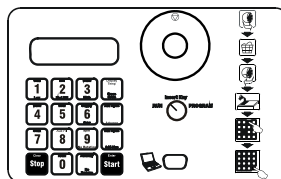
**Cygnus Commercial Vended**



**Cygnus Standard Vended**



**Cygnus Vended**



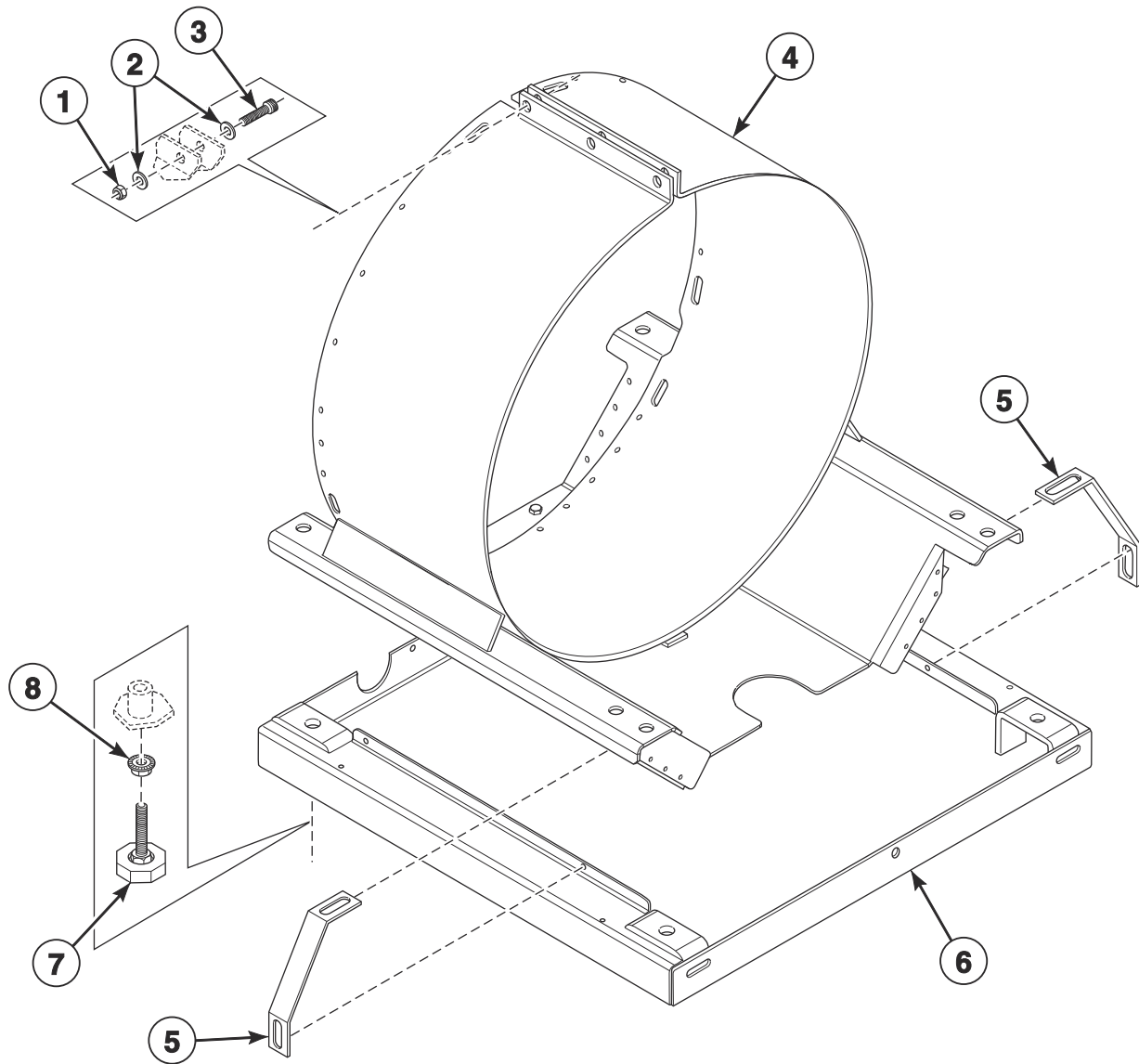
**WE-8**

CFD624P\_D1359

# Cabinet Freestanding Washer-Extractor Product Overview

REF	PART NO.	DESCRIPTION	COMMENTS
1	-	Product Family	CS CX DX EX HD HX IS IX JX PX SX UX VX WX
2	-	Market	G (GOS) N (US ETL/ETL[C]) R (US ETL/ETL[C]) U (EU [CE]) W (EU [CE] WRAS) Z (No Agency Int.)
3	-	Capacity	30 35 135 165
4	-	Control	C (Cygnus Standard) P (WE-8) U (Cygnus Ultra) V (Cygnus Vended) X (Cygnus Commercial) Y (Cygnus Premium) Z (Cygnus Professional)
5	-	Actuation	C (Single Coin Drop) D (Dual Coin Drop) E (Electronic Coin Drop) L (Central Pay Pulses) N (OPL) S (Central Pay Serial Comm)
6	-	Speed	H (High Speed)
7	-	Voltage	C (380-415/50-60/3/4) N (440-480/50-60/3/3) P (380-415/50-60/3/3) Q (200-208/220-240/50-60/3/3) X (200-208/220-240/50-60/1/2/2)
8	-	Cabinet	I (Stainless Steel Side Panels) U (Standard)
9	-	Design	1

# Frame



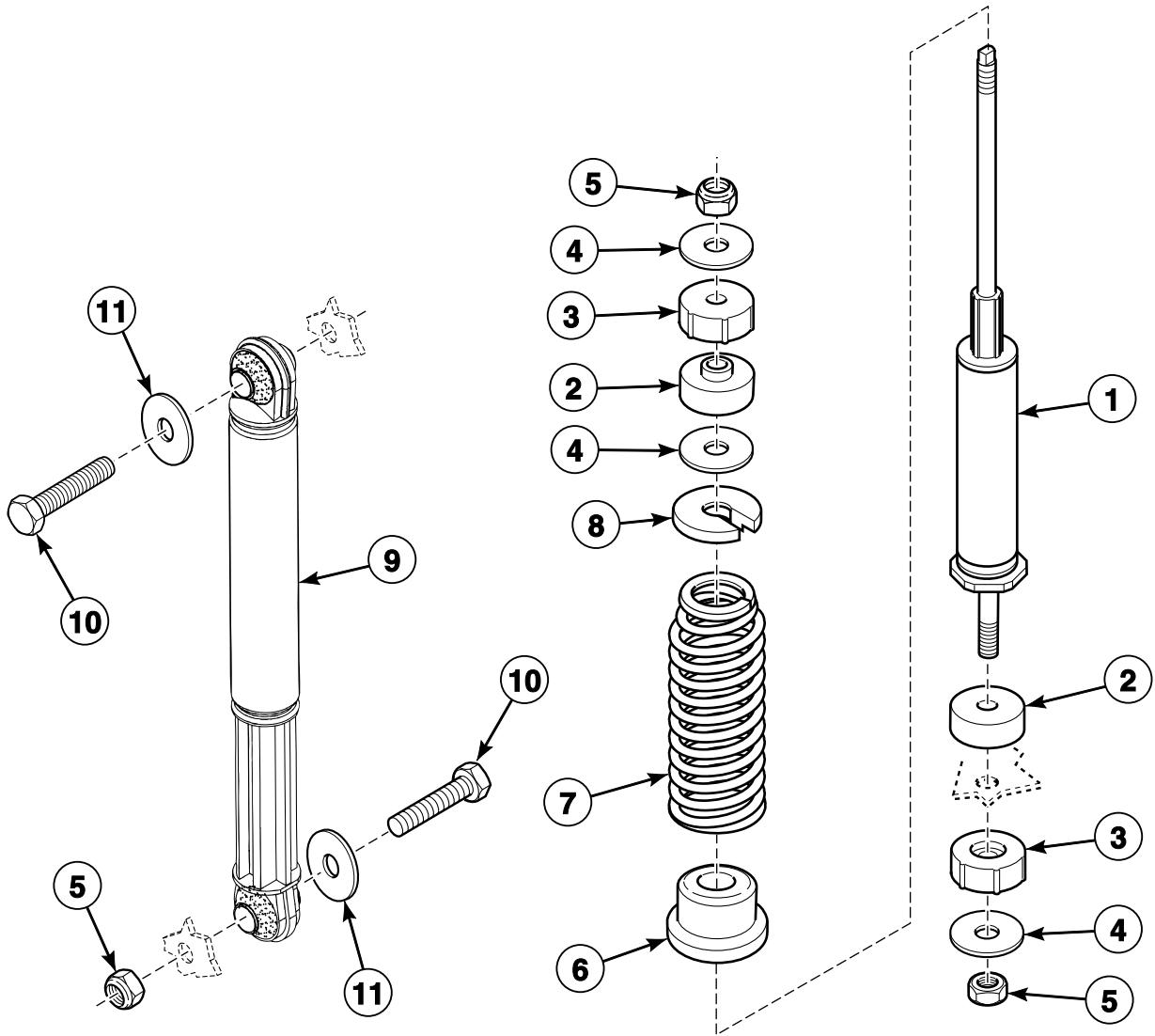
CFD552P\_D1359



# Frame

REF	PART NO.	DESCRIPTION	COMMENTS
1	204/00111/00	Nut	
2	201/00005/00	Washer	
3	206/00053/00	Screw	
4	B12508701	Tub Support	*30 and *135 models
	B12508601	Tub Support	All other models
5	185/00009/12	Shipping Brace	
6	B12316201	Frame	*30 and *135 models
	B12316301	Frame	All other models
7	252/00006/00	Leveling Leg	
8	206/00106/00	Nut	

# Shock Absorber

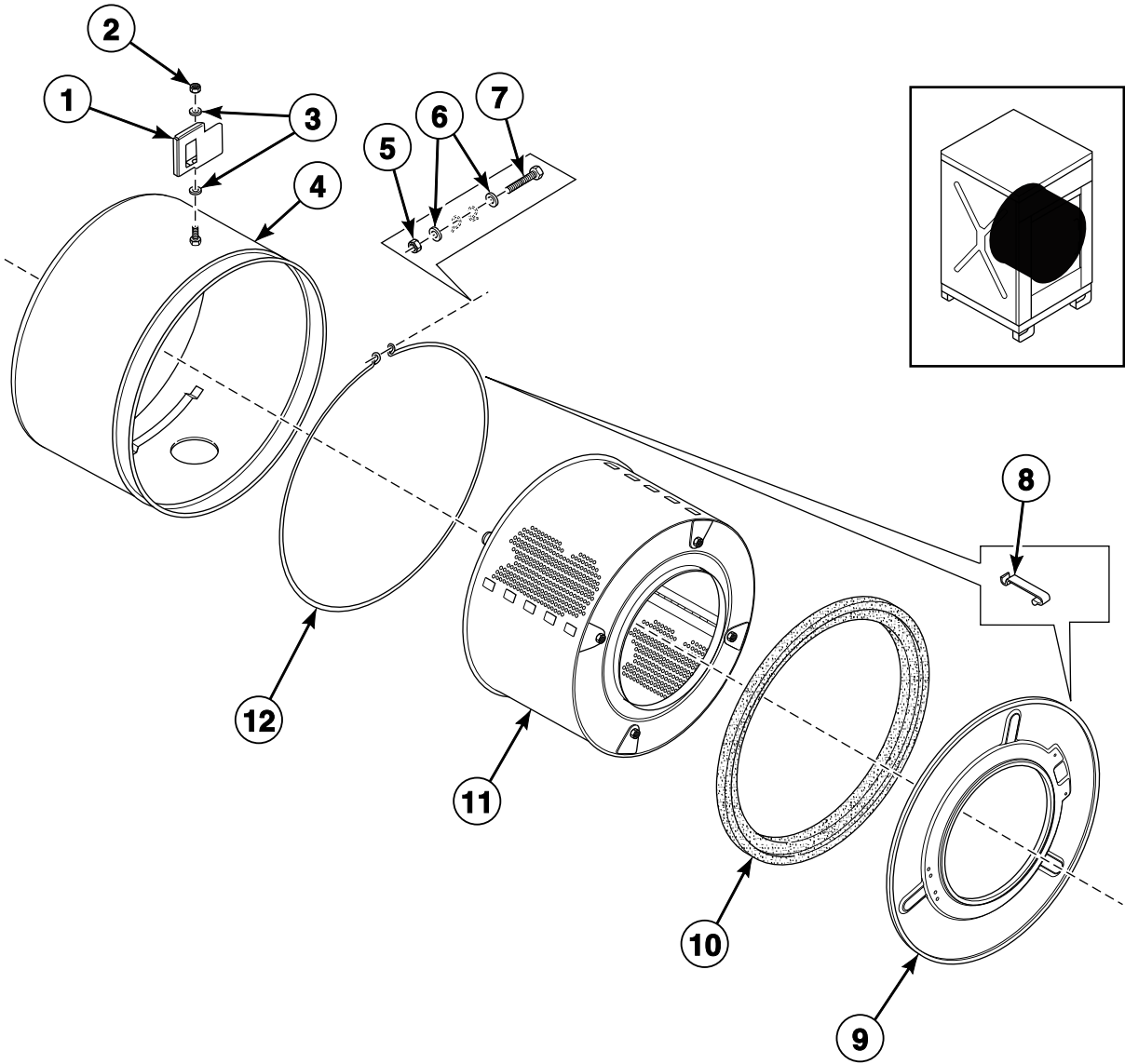


CFD618P\_D1359

# Shock Absorber

REF	PART NO.	DESCRIPTION	COMMENTS
1	247/00002/02	Shock Absorber	
	247/00003/00	Shock Absorber	Includes items 1, 2, 4, 6, 8 and 247/00002/01 Suspension Spring
2	247/00006/00	Fastening Rubber	
3	247/00007/00	Fastening Rubber	
4	201/00015/00	Washer	
5	204/00110/00	Nut	
6	247/00001/03	Spring Seat Bottom	
7	247/00002/01	Suspension Spring	Blue; 5.5 mm diameter
	247/00001/01	Suspension Spring	Black; 4.8 mm diameter
	247/00002/00	Shock Absorber	Includes items 2, 4 and 247/00001/01 Suspension Spring
8	247/00001/04	Spring Holder Top	
9	247/00004/00	Shock Absorber	
10	206/00037/00	Bolt	
11	201/00010/00	Washer	

# Shell and Basket

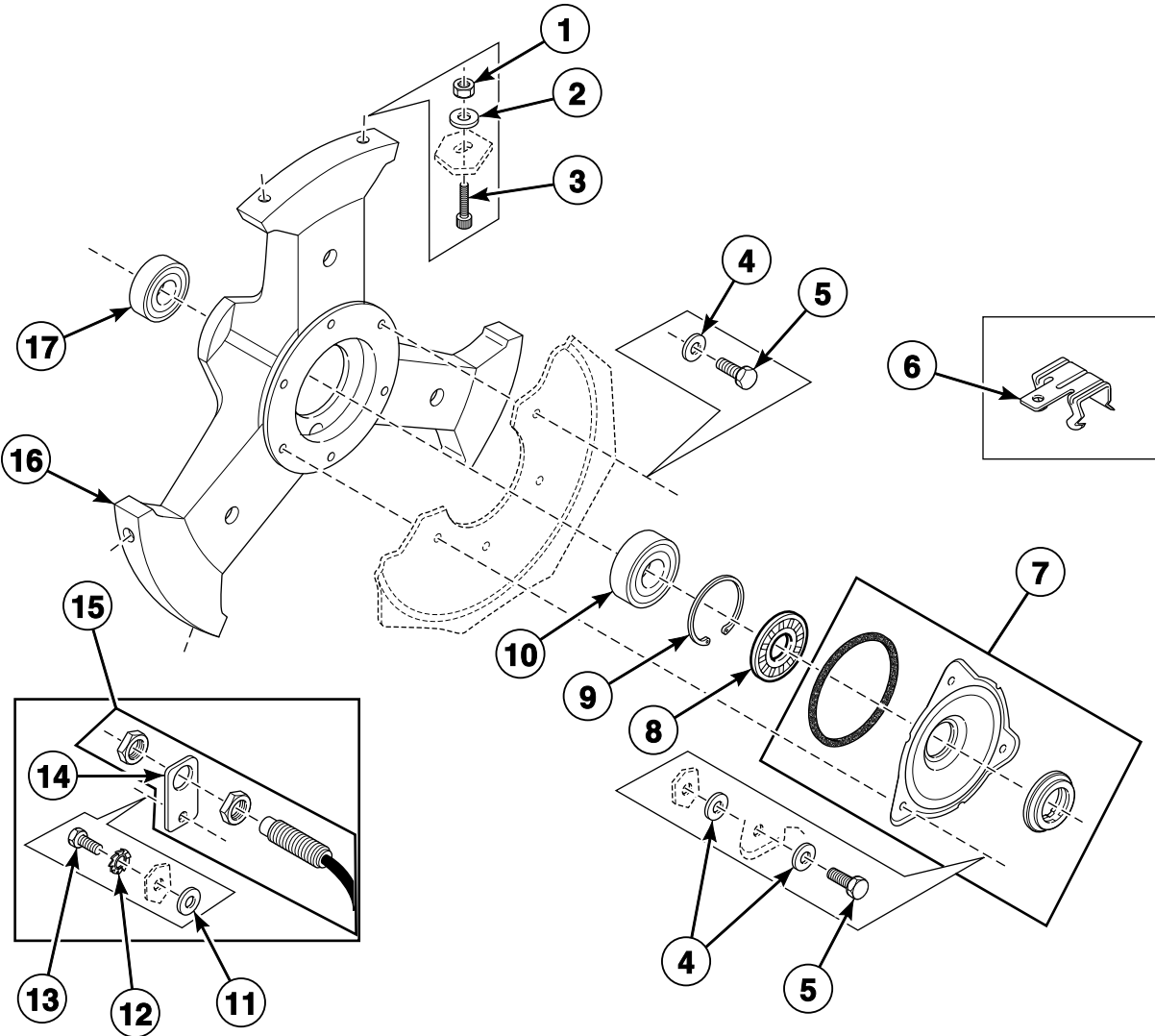


CFD553P\_D1359

## Shell and Basket

REF	PART NO.	DESCRIPTION	COMMENTS
	B12456002	Wiring Earth for Tub	
1	B12529401	Tilt Detector Plate	
2	204/00110/00	Nut	
3	201/00010/00	Washer	
4	B12328901	Tub	*30 and *135 models; Electric heat
	B12329001	Tub	*30 and *135 models; Boiler fed
	B12329201	Tub	All other models; Electric heat
	B12329301	Tub	All other models; Electric heat and boiler fed
5	204/00009/00	Nut	
6	201/00007/00	Washer	
7	206/00032/00	Bolt	
8	217/00008/00	Tub Front Panel Clip	
9	B12533201	Tub Front Panel	
10	B12351601	Tub Front Gasket	
11	B12539501	Basket and Shaft Assembly	*30 and *135 models; 3 mm
	B12539701	Basket and Shaft Assembly	All other models; 3 mm
12	219/00007/00	Tub Front Ring Clamp	

# Bearing Housing

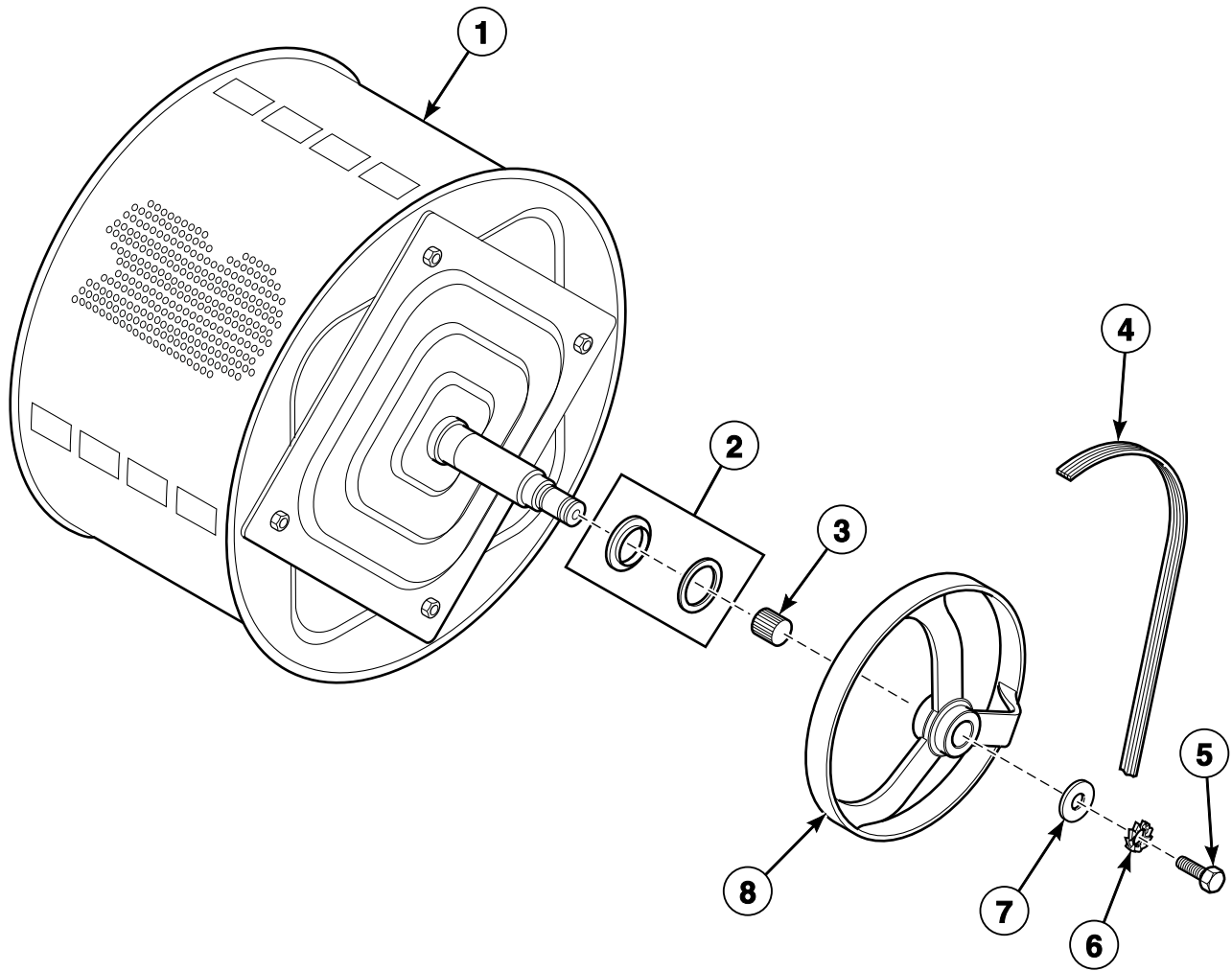


CFD583P\_D1359

## Bearing Housing

REF	PART NO.	DESCRIPTION	COMMENTS
	3882P	Bearing Kit	Includes items 4, 5, 7, 8, 10, 17, 219/00004/00 Counter Ring and 223/00242/20 Tub Gasket
1	204/00111/00	Nut	
2	201/00012/00	Washer	
3	206/00057/00	Screw	
4	201/00201/00	Washer	
5	205/00102/00	Bolt	
6	224/00051/00	Caddy Bracket	4H58-4
	224/00052/00	Caddy Bracket	4H912
7	B12333701	Seal Plate Assembly	
8	B12332301	Lip Seal	
9	212/00006/00	Retainer Ring	
10	212/00004/00	Ball Bearing	
11	202/00003/00	Washer	
12	203/00004/00	Washer	
13	205/00104/00	Bolt	
14	152/00055/00	Speed Detector Bracket	
15	210/00074/00	Speed Detector	Includes item 14
16	152/10118/01	Bearing Housing Assembly	Includes items 8-10 and 17
	152/10118/00	Bearing Housing Assembly	
17	F100134	Bearing	

# Basket, Pulley and Belt



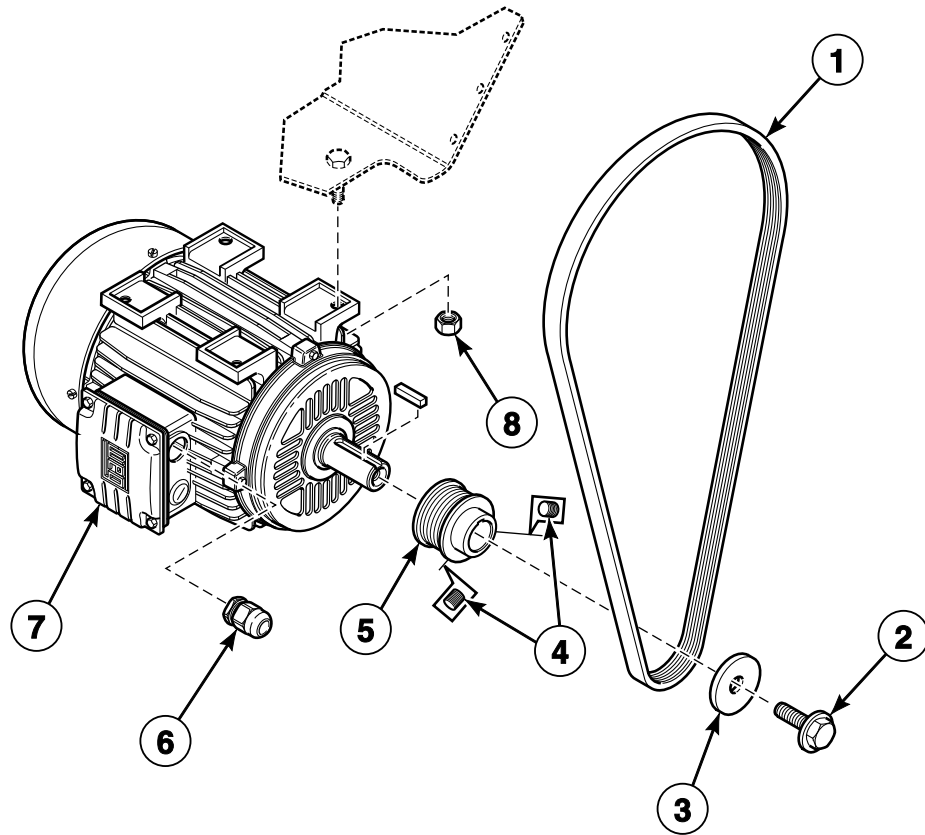
BE000839P\_D1359



## Basket, Pulley and Belt

REF	PART NO.	DESCRIPTION	COMMENTS
1	B12539501	Basket and Shaft Assembly	*30 and *135 models; 3 mm
	B12539701	Basket and Shaft Assembly	All other models; 3 mm
2	219/00004/00	Counter Ring	
3	215/00004/00	Tolerance Ring	
4	226/00121/00	V Belt	
5	206/00004/00	Bolt	
6	203/00001/00	Washer	
7	201/00003/00	Washer	
8	255/00117/00	Pulley	

# Motor and Belt

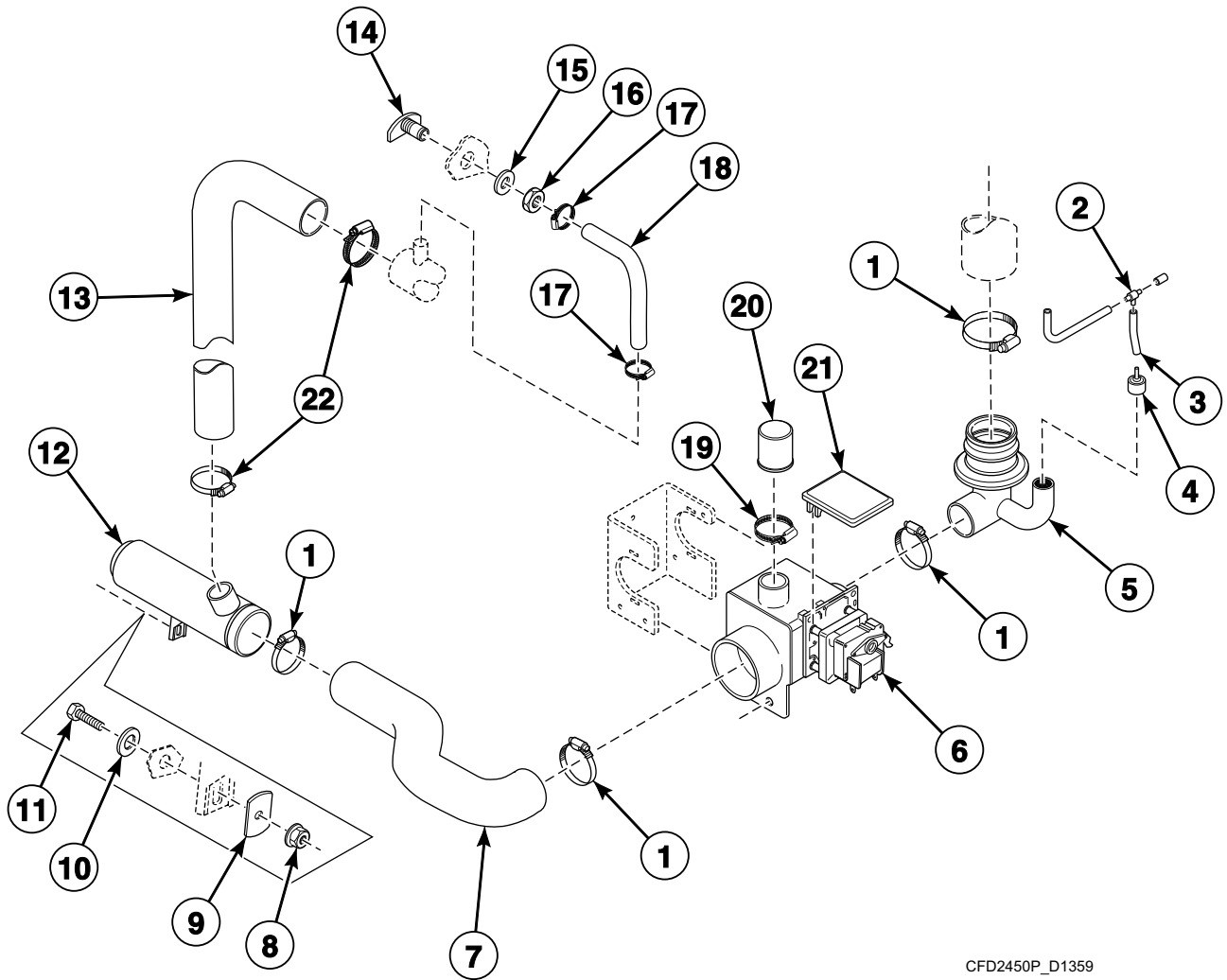


CFD574P\_D1359

# Motor and Belt

REF	PART NO.	DESCRIPTION	COMMENTS
	B12382102	Motor Harness	
1	226/00121/00	V Belt	
2	206/00006/00	Bolt	
3	201/00015/00	Washer	
4	206/00058/00	Screw	
5	226/00123/00	Motor Pulley	
6	211/00181/00	Strain Relief Connector	
7	B12527601	Motor	
8	204/00109/00	Nut	

# Drain Plumbing

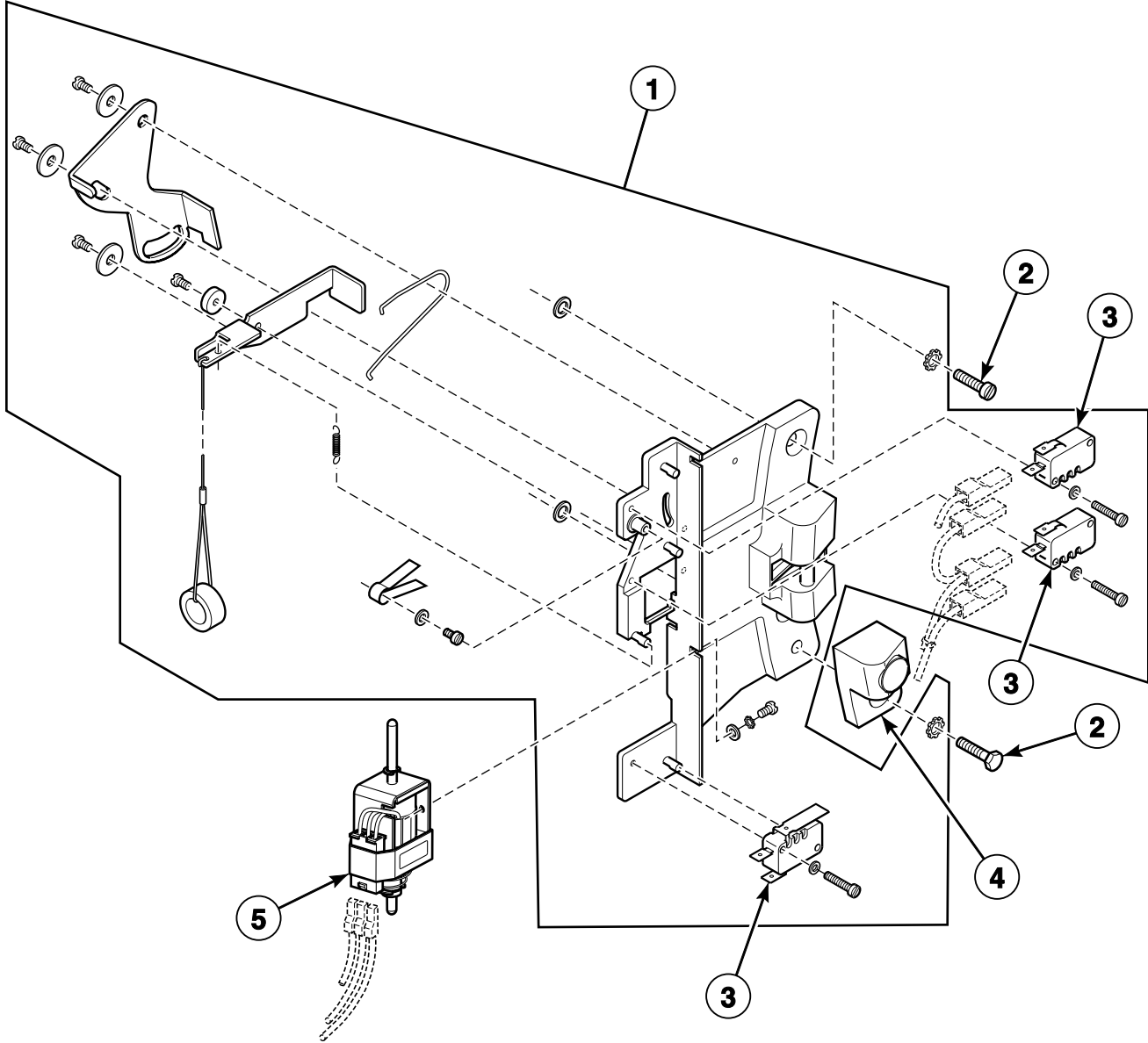


CFD2450P\_D1359

# Drain Plumbing

REF	PART NO.	DESCRIPTION	COMMENTS
	B12495801	Drain Valve Fuse Harness	WE-8 models
	B12349401	Drain Valve Harness	
1	223/00014/00	Hose Clamp	
2	223/00173/10	Pressure Switch Hose Tee	
3	223/00333/00	Pressure Hose	
4	223/00035/02	Pressure Switch Cap	
5	B12403101	Drain Tub to Drain Valve Hose	
6	209/00075/00	Drain Valve	
7	223/00328/00	Drain Valve to Drain Tube Hose	
8	206/00101/00	Nut	
9	101/00007/00	Outlet Pipe Plate Assembly	
10	201/00007/00	Washer	
11	206/00033/00	Bolt	
12	223/00106/00	Drain Pipe	
13	223/00100/00	Overflow Hose	
14	223/00001/04	Prewash and Mainwash Nozzle	
15	201/00002/00	Washer	
16	204/00201/00	Nut	
17	223/00010/00	Hose Clamp	
18	223/00044/01	Water Hose	
19	223/00223/00	Hose Clamp	
20	223/00086/00	Drain Valve Overflow Plug	
21	223/00225/00	Drain Valve Cover	
22	223/00013/00	Hose Clamp	

# Door Lock

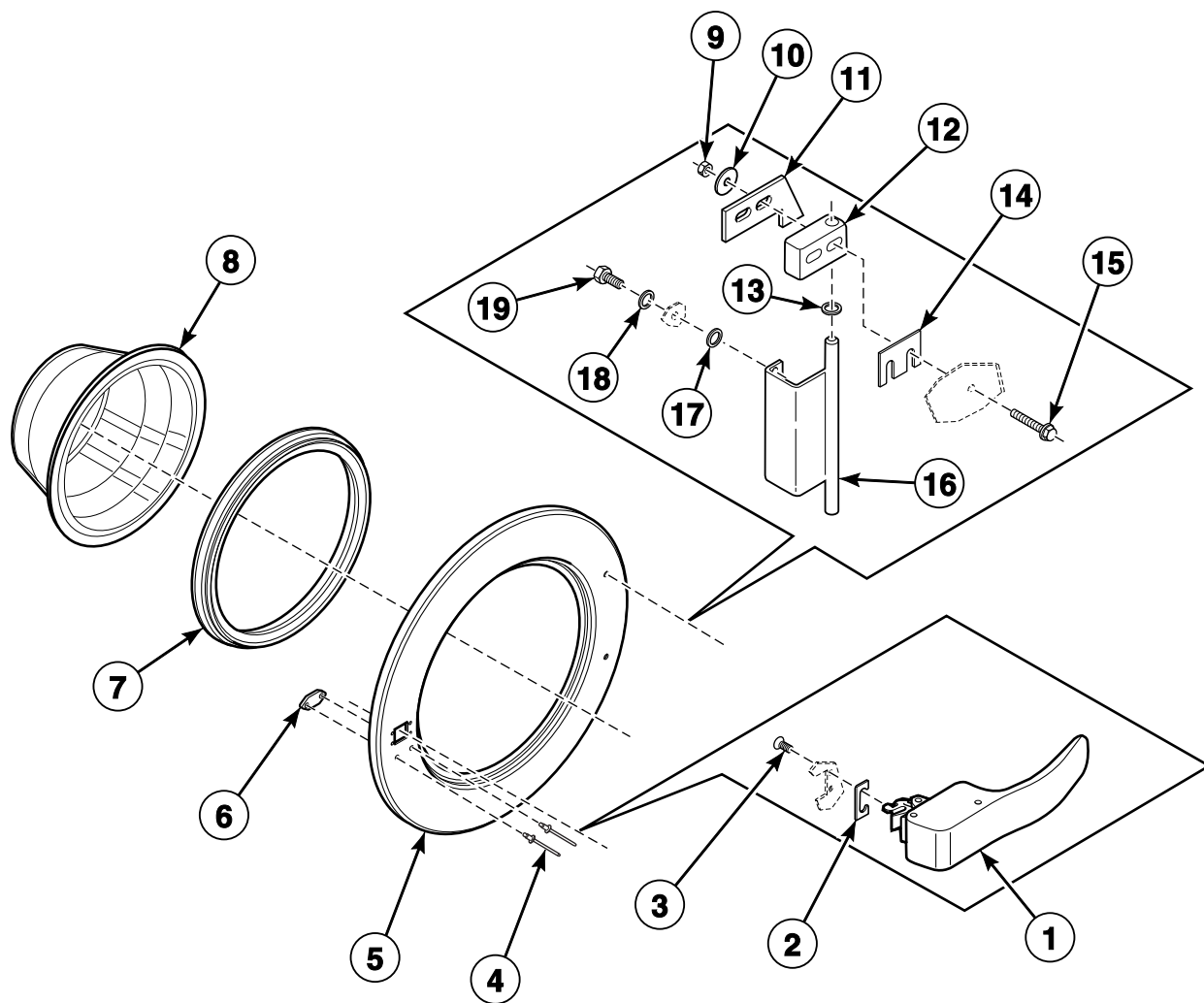


CHM3240P\_D1359

# Door Lock

REF	PART NO.	DESCRIPTION	COMMENTS
	B12495002	Door Lock Harness	WE-8 models
	B12495001	Door Lock Harness	Cygnus models
	B12517701	Door Lock Assembly	Includes items 1 and 4
1	B12403001	Door Lock Assembly	Includes item 3
2	207/00102/00	Screw	
3	209/00272/00	Door Lock Microswitch	
4	B12517601	Reed Switch Holder	Includes F8080405 Reed Switch Harness and B12502001 Reed Switch Holder
5	B12495101	Door Solenoid	

# Door



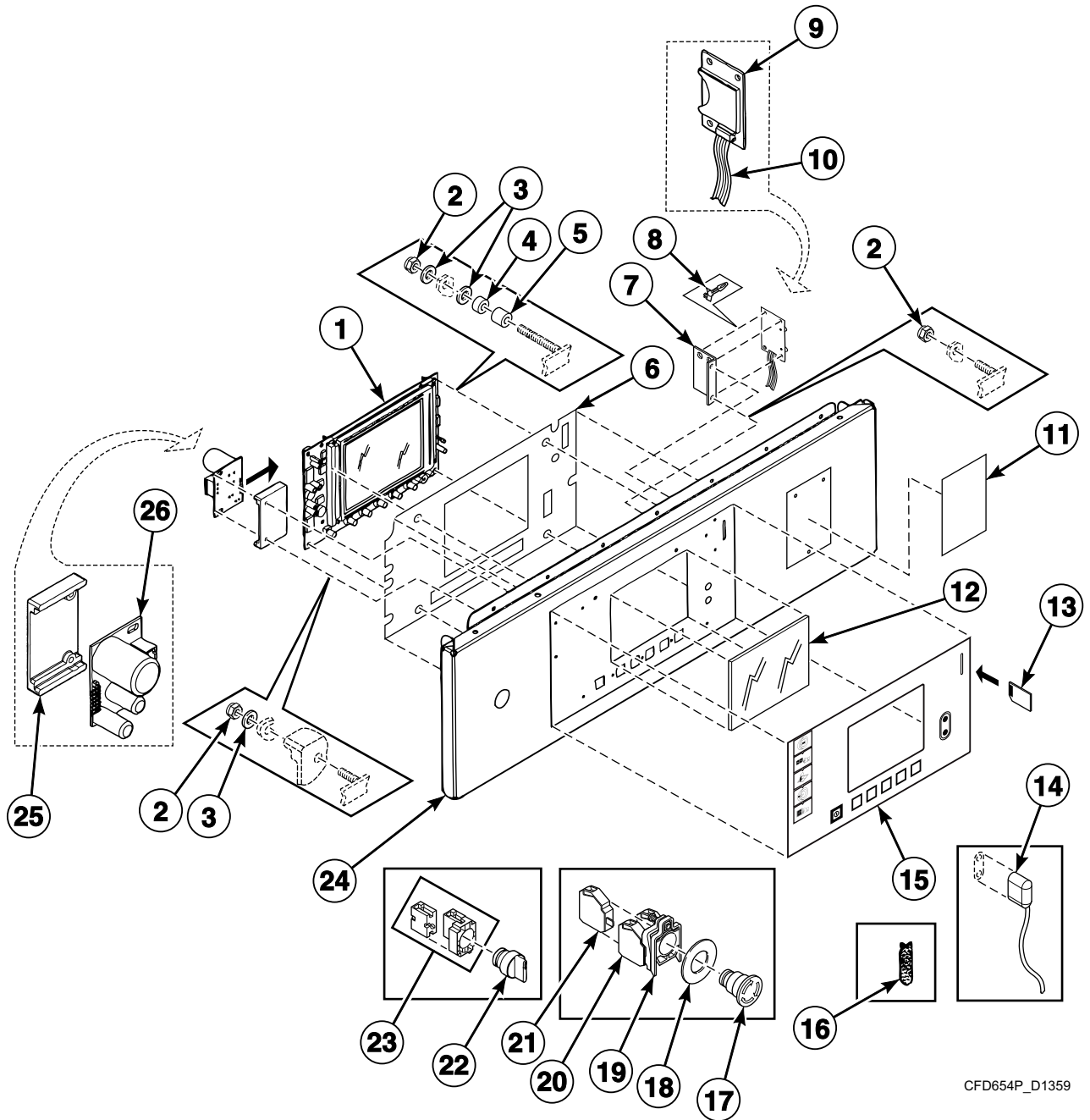
CFD631P\_D1359



# Door

REF	PART NO.	DESCRIPTION	COMMENTS
1	B12336302	Door Handle	WE-8 models; Gray
	B12336301	Door Handle	Cygnus models; Black
2	217/00016/00	Door Handle Stop	
3	B12500801	Screw	
4	B12500301	Rivet	
5	B12337201	Door Frame	
6	B12389701	Magnet	
7	217/00068/00	Door Glass Seal	
8	217/00023/00	Door Glass	
9	204/00106/00	Nut	
10	202/00110/00	Washer	
11	118/00126/00	Door Stop	
12	253/00022/00	Door Hinge Block	
13	202/00104/00	Washer	
14	118/00122/00	Door Hinge Spacer	
15	207/00126/00	Screw	
16	221/00005/00	Door Hinge	
17	217/00021/00	O-Ring	
18	202/00101/00	Washer	
19	205/00106/00	Bolt	

# Control Panel - Cygnus Professional

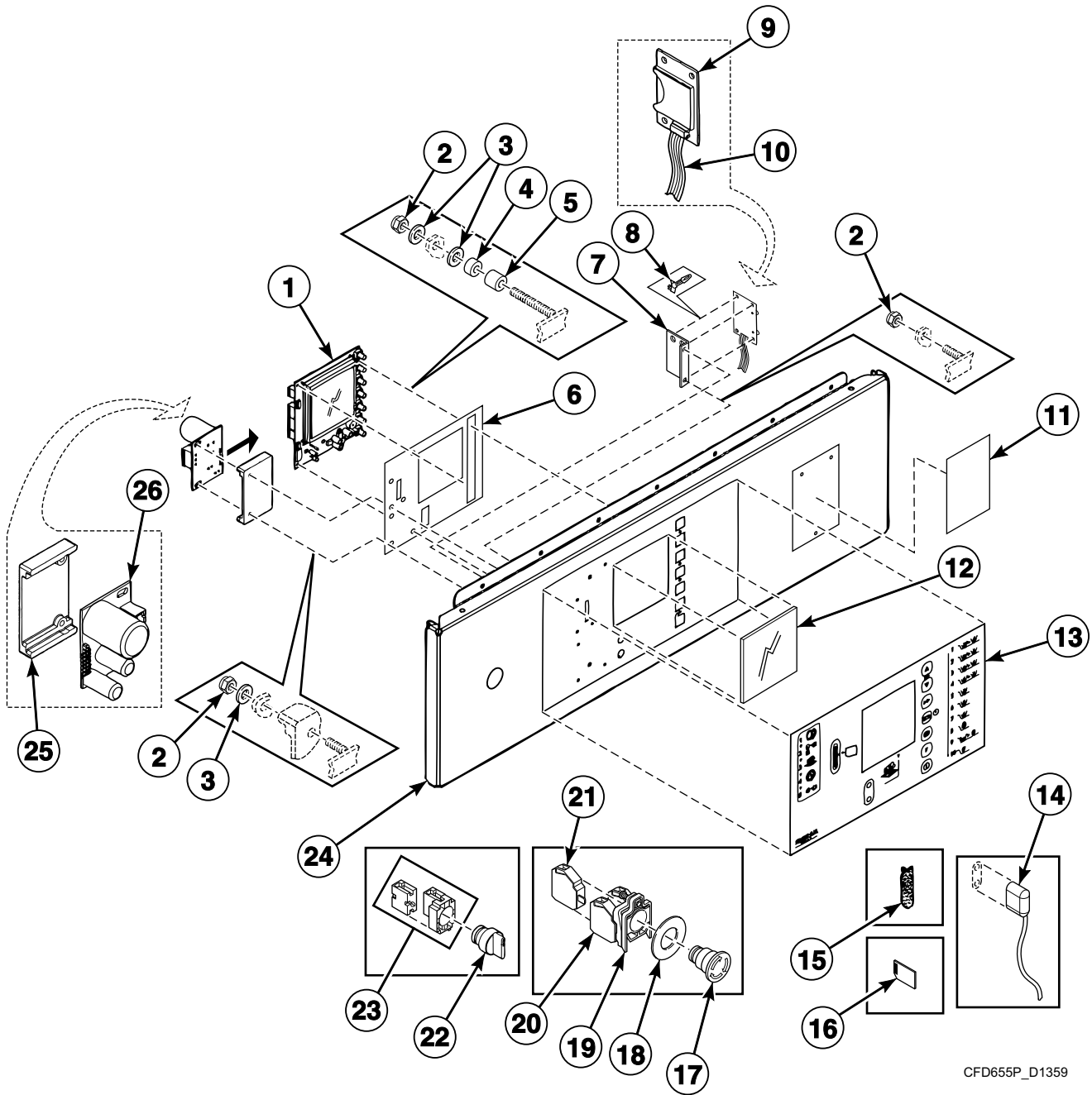


CFD654P\_D1359

## Control Panel - Cygnus Professional

REF	PART NO.	DESCRIPTION	COMMENTS
	B12348901	E-Stop Harness	
1	209/02002/ZB2	Display PC-Board	
2	204/00116/00	Nut	
3	223/00123/00	Washer	
4	211/00128/00	Printboard Separator	
5	211/00122/00	Standoff	
6	229/00268/00	Insulating Sticker	
7	111/01893/00	Printboard Support Card	Optional
8	211/00145/00	Standoff	
9	B12305201	Memory Card PC-Board	Optional
10	B12538301	Data Card Ribbon Assembly	Optional
11	B12389801	Nameplate	HD and IX models
	B12389802	Overlay	CX models
	B12389804	Overlay	JX models
12	225/00321/00	Plexi Frame	
13	209/02024/00	Datacard	
14	210/00902/00P	Infrared Cable Kit	
15	B12383601	Operating Sticker	Without datacard opening; All models except JXW135Z and JXW165Z
	B12383701	Operating Sticker	With datacard opening; All models except JXW135Z and JXW165Z
	B12532001	Operating Sticker	Models JXW135Z and JXW165Z
16	223/00348/00	Datacard Cover	
17	209/00248/20	Mushroom Pushbutton	
18	209/00520/00	Telem Sticker	
19	B12491801	Contact Harness	
20	209/00029/26	Contact Switch	NC
21	209/00099/26	Contact Switch	NO
22	209/00099/29	Switch Knob	Dual heat
	B12523901	Dual Heat Sticker	Dual heat
23	B12491701	Contact Harness	Dual heat
24	B12356401	Operating Panel	
25	223/00374/00	Mounting Plate	
26	B12388201	Door Lock PC-Board	

# Control Panel - Cygnus Premium OPL and Ultra

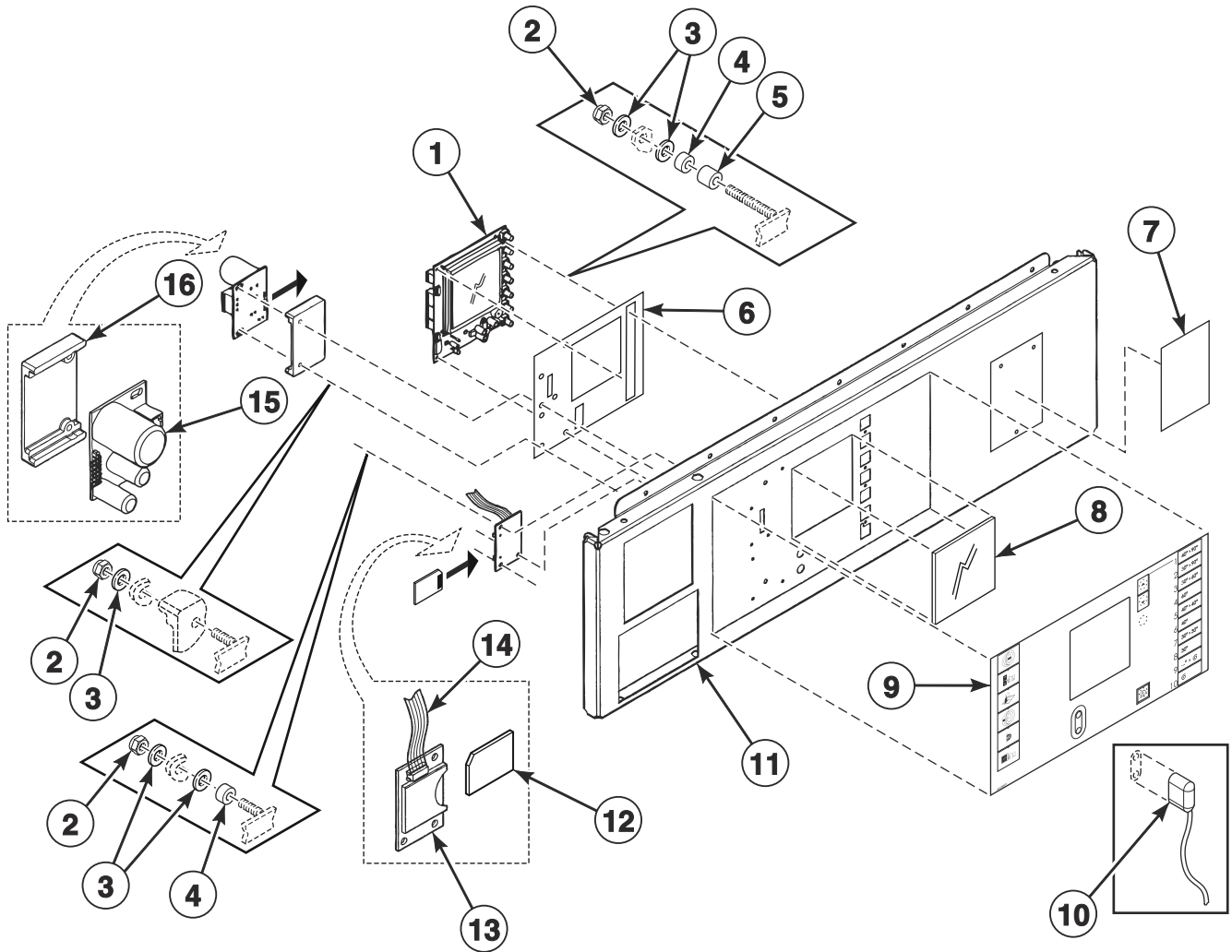


CFD655P\_D1359

## Control Panel - Cygnus Premium OPL and Ultra

REF	PART NO.	DESCRIPTION	COMMENTS
	B12348901	E-Stop Harness	
1	209/02015/02	Printboard	
2	204/00116/00	Nut	
3	223/00123/00	Washer	
4	211/00128/00	Printboard Separator	
5	211/00122/00	Standoff	
6	229/00291/00	Insulating Sticker	
7	111/01893/00	Printboard Support Card	Optional
8	211/00145/00	Standoff	
9	B12305201	Memory Card PC-Board	Optional
10	B12538301	Data Card Ribbon Assembly	Optional
11	B12389801	Nameplate	HD, IS and IX models
	B12389802	Overlay	CS and CX models
	B12389804	Overlay	JX models
	B12389805	Overlay	PX models
12	225/00323/00	Plexi Frame	
13	B12456701	Operating Sticker	Cygnus Ultra models
	B12383401	Operating Sticker	Cygnus Premium OPL models except JX models; With datacard opening
	B12383301	Operating Sticker	Cygnus Premium OPL models except JX models; Without datacard opening
	B12531901	Operating Sticker	JX models
	B12531801	Operating Sticker	JX models
14	210/00902/00P	Infrared Cable Kit	
15	223/00348/00	Datacard Cover	Cygnus Premium OPL models
16	209/02024/00	Datacard	Cygnus Premium OPL models
17	209/00248/20	Mushroom Pushbutton	
18	209/00520/00	Telem Sticker	
19	B12491801	Contact Harness	
20	209/00029/26	Contact Switch	NC
21	209/00099/26	Contact Switch	NO
22	209/00099/29	Switch Knob	Dual heat
	B12523901	Dual Heat Sticker	Dual heat
23	B12491701	Contact Harness	Dual heat
24	B12356501	Operating Panel	
25	223/00374/00	Mounting Plate	
26	B12388201	Door Lock PC-Board	

# Control Panel - Cygnus Premium Coin

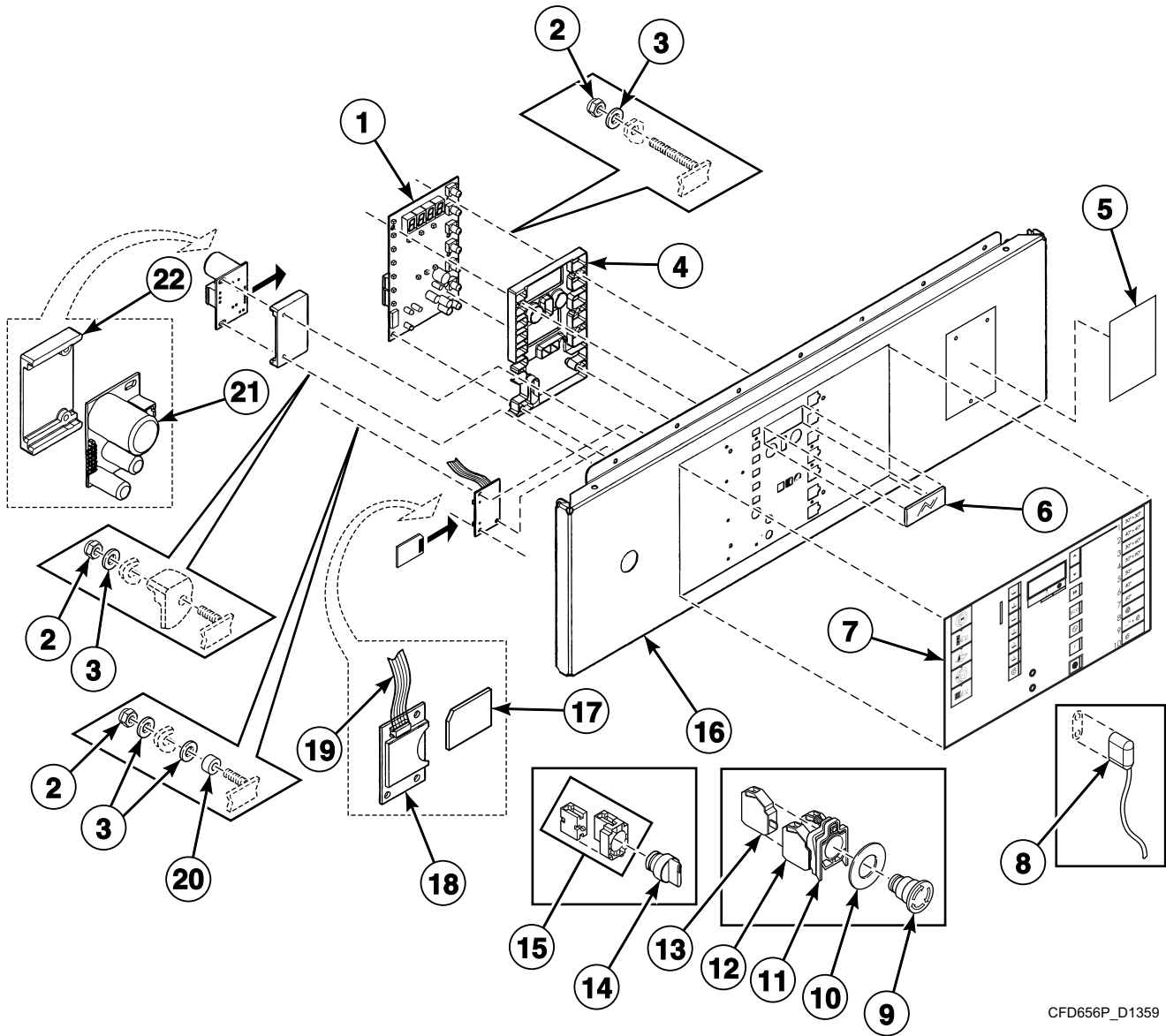


CFD621P\_D1359

## Control Panel - Cygnus Premium Coin

REF	PART NO.	DESCRIPTION	COMMENTS
	B12349001	E-Stop Bypass Harness	
1	209/02015/02	Printboard	
2	204/00116/00	Nut	
3	223/00123/00	Washer	
4	211/00128/00	Printboard Separator	
5	211/00122/00	Standoff	
6	229/00291/00	Insulating Sticker	
7	B12389801	Nameplate	HD and IX models
	B12389804	Overlay	JX models
	B12389805	Overlay	PX models
8	225/00323/00	Plexi Frame	
9	B12383501	Operating Sticker	
10	210/00902/00P	Infrared Cable Kit	
11	B12354101	Operating Panel	
12	209/02024/00	Datacard	
13	B12305201	Memory Card PC-Board	
14	B12538301	Data Card Ribbon Assembly	
15	B12388201	Door Lock PC-Board	
16	223/00374/00	Mounting Plate	

# Control Panel - Cygnus Standard/Commercial OPL



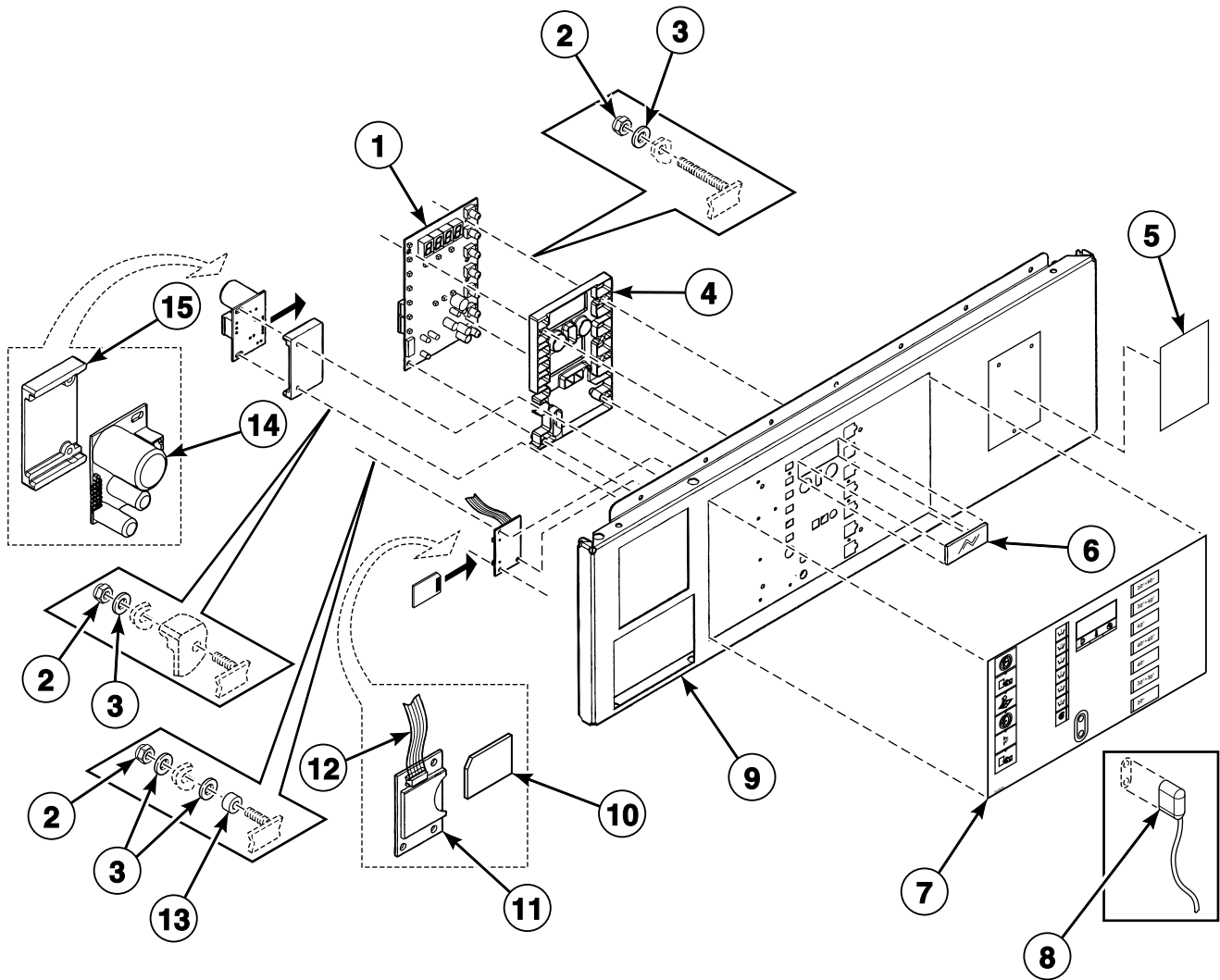
CFD656P\_D1359



## Control Panel - Cygnus Standard/Commercial OPL

REF	PART NO.	DESCRIPTION	COMMENTS
	B12348901	E-Stop Harness	
1	209/02001/02	Printboard	
2	204/00116/00	Nut	
3	223/00123/00	Washer	
4	223/00330/00	Protection LED	
5	B12389801	Nameplate	HD and IX models
	B12389802	Overlay	CX models
	B12389803	Overlay	DX models
	B12389804	Overlay	JX models
	B12389809	Overlay	EX models
	B12389810	Overlay	WX models
6	225/00322/00	Plexi Frame	
7	B12382701	Operating Sticker	Cygnus Standard OPL models except JX models; Without datacard opening
	B12382801	Operating Sticker	Cygnus Standard OPL models except JX models; With datacard opening
	B12383001	Operating Sticker	Cygnus Commercial OPL models except JX models; Without datacard opening
	B12383101	Operating Sticker	Cygnus Commercial OPL models except JX models; With datacard opening
	B12531801	Operating Sticker	JX models
8	210/00902/00P	Infrared Cable Kit	
9	209/00248/20	Mushroom Pushbutton	
10	209/00520/00	Telem Sticker	
11	B12491801	Contact Harness	
12	209/00029/26	Contact Switch	NC
13	209/00099/26	Contact Switch	NO
14	209/00099/29	Switch Knob	Dual heat
	B12523901	Dual Heat Sticker	Dual heat
15	B12491701	Contact Harness	Dual heat
16	B12356201	Operating Panel	
17	209/02024/00	Datacard	Optional
18	B12305201	Memory Card PC-Board	Optional
19	B12538301	Data Card Ribbon Assembly	Optional
20	211/00128/00	Printboard Separator	
21	B12388201	Door Lock PC-Board	
22	223/00374/00	Mounting Plate	

# Control Panel - Cygnus Standard/Commercial Coin and Vended

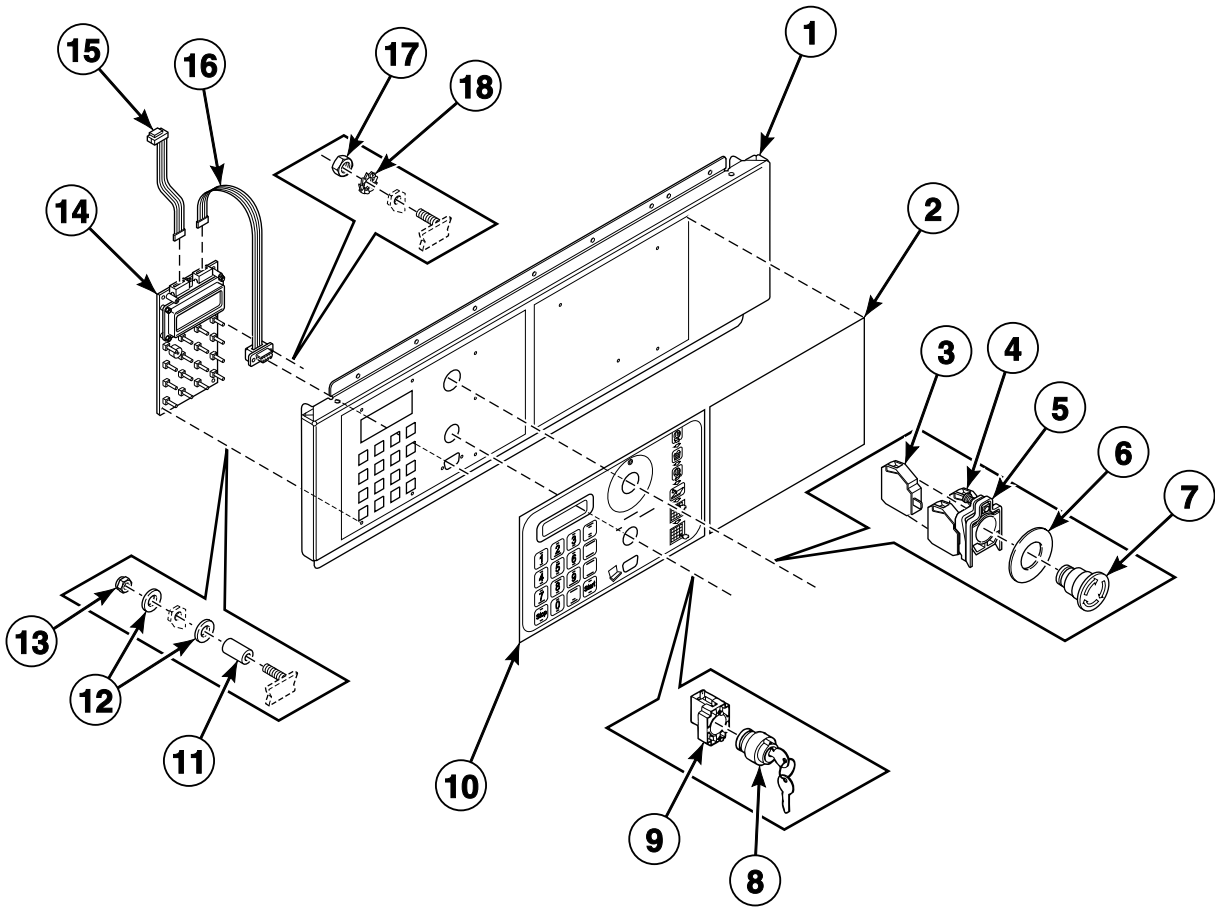


CFD611P\_D1359

# Control Panel - Cygnus Standard/Commercial Coin and Vended

REF	PART NO.	DESCRIPTION	COMMENTS
	B12349001	E-Stop Bypass Harness	
1	209/02001/02	Printboard	
2	204/00116/00	Nut	
3	223/00123/00	Washer	
4	223/00330/00	Protection LED	
5	B12389801	Nameplate	HD and IX models
	B12389802	Overlay	CX models
	B12389803	Overlay	DX models
	B12389804	Overlay	JX models
	B12389809	Overlay	EX models
	B12389810	Overlay	WX models
6	225/00322/00	Plexi Frame	
7	B12382901	Operating Sticker	Cygnus Standard coin models
	B12383201	Operating Sticker	Cygnus Commercial coin models
	B12456501	Operating Sticker	Cygnus Vended models
8	210/00902/00P	Infrared Cable Kit	
9	B12356301	Operating Panel	
10	209/02024/00	Datacard	Cygnus Standard/Commercial coin models
11	B12305201	Memory Card PC-Board	Cygnus Standard/Commercial coin models
12	B12538301	Data Card Ribbon Assembly	Cygnus Standard/Commercial coin models
13	211/00128/00	Printboard Separator	
14	B12388201	Door Lock PC-Board	
15	223/00374/00	Mounting Plate	

# Control Panel - WE-8

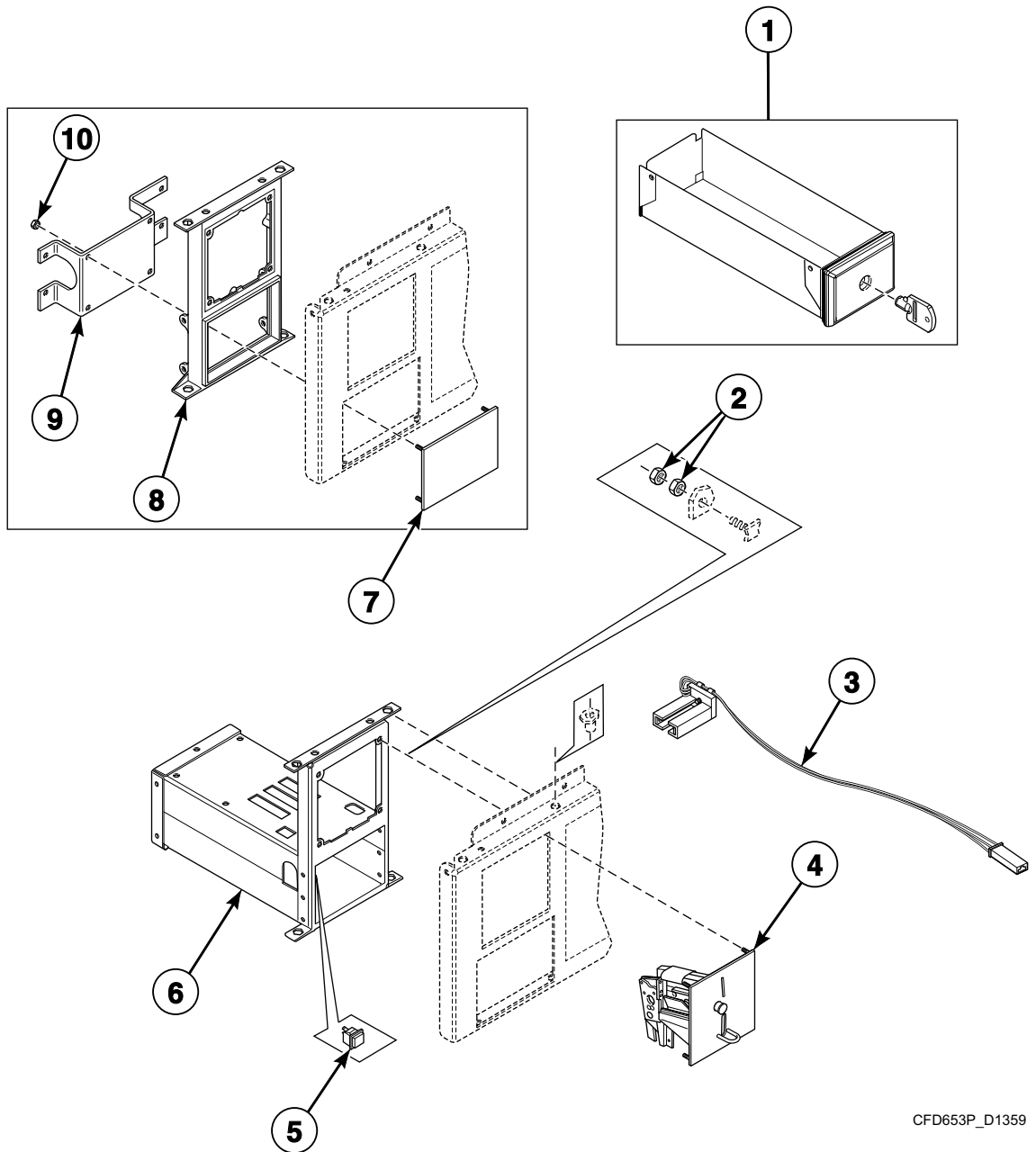


CFD657P\_D1359

## Control Panel - WE-8

REF	PART NO.	DESCRIPTION	COMMENTS
	B12348902	E-Stop Harness	
	B12348903	E-Stop Drive Harness	
	B12495501	Key Switch Harness	
	B12388302	Ribbon Assembly	
1	B12436301	Operating Panel	
2	F8435601	Overlay	UX models
	225/00435/00	Overlay	SX models
	225/00436/00	Logo Decal	HX models
3	209/00099/26	Contact Switch	NO
4	209/00029/26	Contact Switch	NC
5	B12491801	Contact Harness	
6	209/00520/00	Telem Sticker	
7	209/00248/00	Mushroom Pushbutton	
8	209/00326/20	Programming Key Contact Switch	
9	B12491701	Contact Harness	
10	225/00388/00	Overlay	Control
11	211/00140/00	Spacer	
12	223/00123/00	Washer	
13	204/00116/00	Nut	
14	209/00580/03	Display	
15	B12388302	Ribbon Assembly	
16	B12388305	Ribbon Assembly	
17	204/00008/00	Nut	
18	203/00007/00	Washer	

# Coin Drop - Mechanical Coin Meter



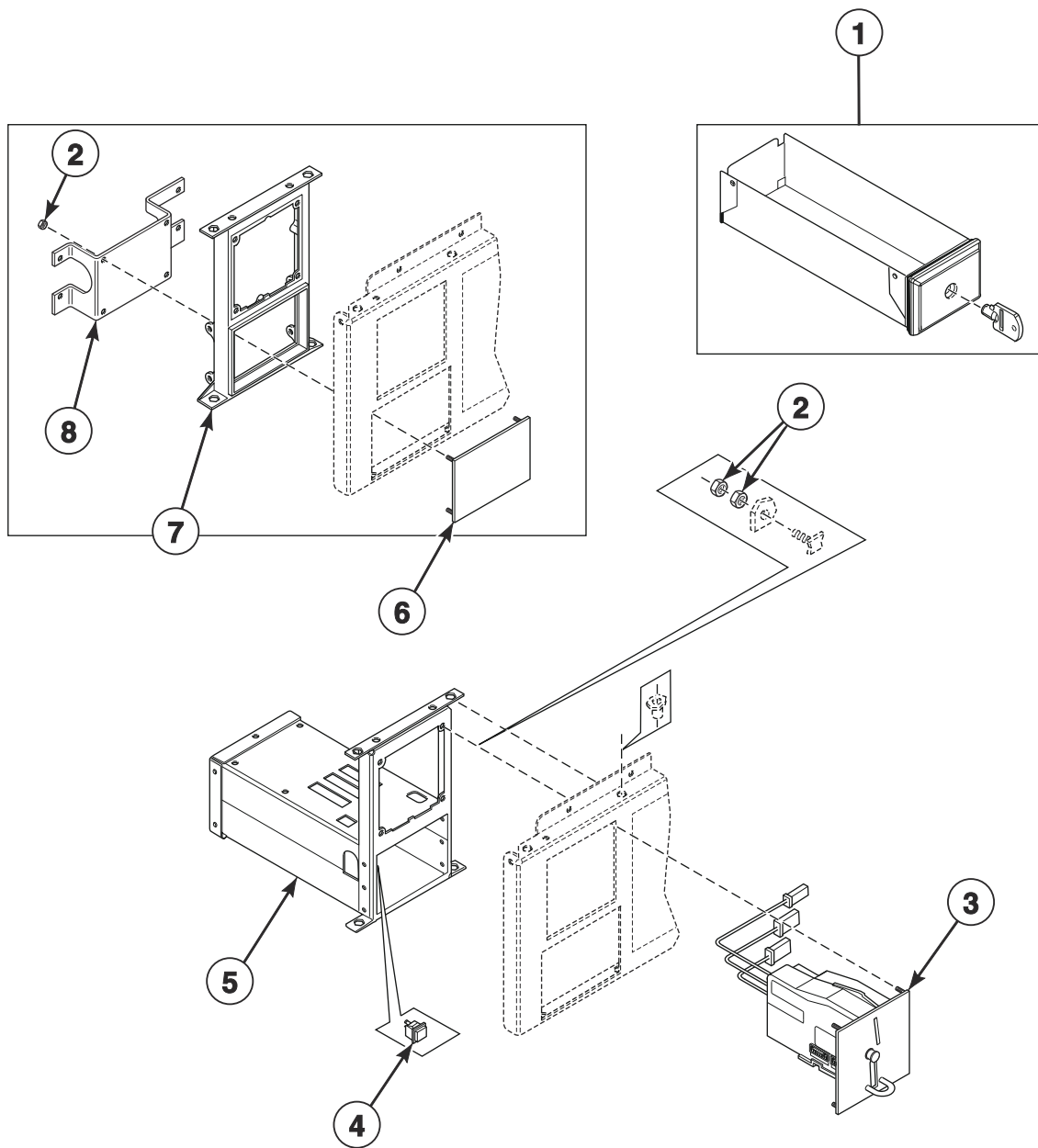
CFD653P\_D1359

## Coin Drop - Mechanical Coin Meter

REF	PART NO.	DESCRIPTION	COMMENTS
	209/00781/00	Optical Switch	
1	254/00077/00	Coin Box	
	254/00077/02	Key	
2	204/00116/00	Nut	
3	B12309901	Wire Harness Assembly	Single/dual drop
	B12310001	Wire Harness Assembly	B-series; Single/dual drop
4	B12311224	Coin Drop	Mechanical; Jeton 5K
	B12311206	Coin Drop	Mechanical; Jeton 7K
	B12311201	Coin Drop	Mechanical; Jeton 10K
	B12311210	Coin Drop	Mechanical; Jeton 12K
	B12311252	Coin Drop	Mechanical; Jeton 10K and .5 euro
	B12311211	Coin Drop	Mechanical; Jeton 7K and 1 euro
	B12323901	Coin Drop	Mechanical; Jeton 15K and 7K
	B12311204	Coin Drop	Mechanical; Jeton gettone
	B12311234	Coin Drop	Mechanical; Jeton crouzet
	B12311247	Coin Drop	Mechanical; Jeton 118-1
	B12311248	Coin Drop	Mechanical; Jeton 118-5
	B12311222	Coin Drop	Mechanical; 1 euro
	B12311214	Coin Drop	Mechanical; .5 euro
	B12311202	Coin Drop	Mechanical; .5 and 1 euro
	B12311239	Coin Drop	Mechanical; .5 and 2 euro
	B12311205	Coin Drop	Mechanical; .2 and 1 euro
	B11211209	Coin Drop	Mechanical; .2 and .5 euro
	B12311218	Coin Drop	Mechanical; 1 and 1 euro
	B12311219	Coin Drop	Mechanical; 1 and 2 euro
	B12311203	Coin Drop	Mechanical; 1 and 2 frank
	B12311207	Coin Drop	Mechanical; 1 Deense kroon
	B12311225	Coin Drop	Mechanical; 10 Deense kronen
	B12311235	Coin Drop	Mechanical; 10 Tsjechische kronen
	B12311244	Coin Drop	Mechanical; 10 Noorse kronen
	B12311208	Coin Drop	Mechanical; 100 and 500 yen
	B12311212	Coin Drop	Mechanical; 15K
	B12311215	Coin Drop	Mechanical; 1 kro
	B12311226	Coin Drop	Mechanical; Australia 1.00
	B12311216	Coin Drop	Mechanical; Australia .2 and 1.00
	B12311220	Coin Drop	Mechanical; New Zealand 1.00
	B12311221	Coin Drop	Mechanical; .5 and 2 zwitsers
	B12311241	Coin Drop	Mechanical; Hong Kong 1.00
	B12311249	Coin Drop	Mechanical; Hong Kong 5.00
B12311301	Coin Drop	Mechanical; U.S. \$0.25	
B12311302	Coin Drop	Mechanical; U.S. \$0.25 and \$1.00	
B12311304	Coin Drop	Mechanical; Canada 1.00 and .25	
B12323401	Coin Drop	Mechanical; Singapore 1.00	
5	209/00396/00	Pushbutton	
6	152/00112/00	Mechanical Coin Meter Housing	
7	111/01003/00	Top Panel	Black; Central pay option
8	217/00060/00	Fastening Piece	Central pay option
9	111/01005/00	Backplate	Central pay option
10	204/00116/00	Nut	Central pay option

# Coin Drop - Electronic Coin Meter

Cygnus Commercial, Premium, Standard and Vended Models



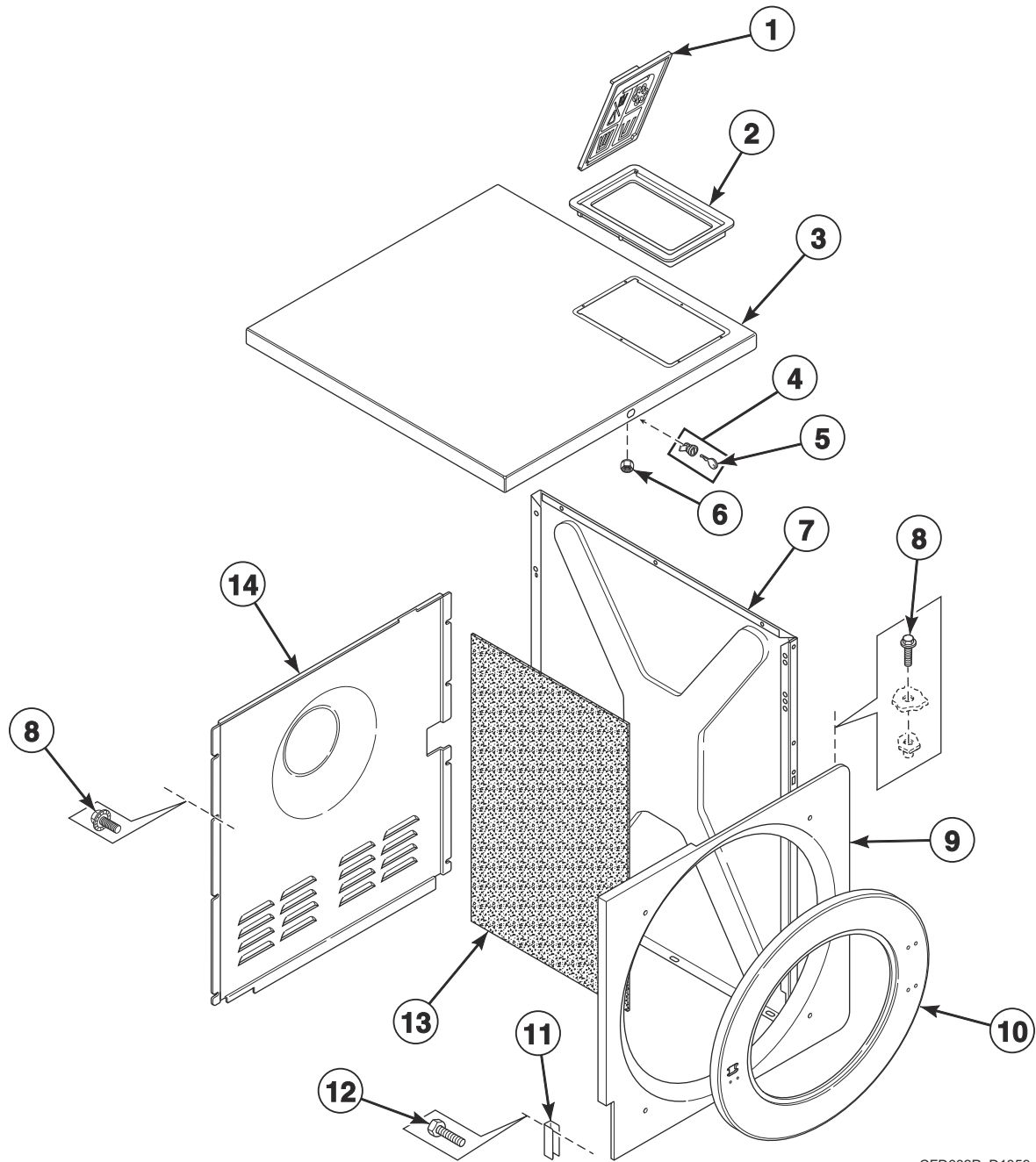
CFD617P\_D1359



## Coin Drop - Electronic Coin Meter

REF	PART NO.	DESCRIPTION	COMMENTS
	B12309901	Wire Harness Assembly	Single/dual drop
	B12310001	Wire Harness Assembly	Dual drop
1	254/00077/00	Coin Box	
	254/00077/02	Key	
2	204/00116/00	Nut	
3	B12311401	Coin Drop	
4	209/00396/00	Pushbutton	
5	152/00112/50	Electronic Coin Meter Housing	
6	111/01003/00	Top Panel	Black; Central pay option
7	217/00060/00	Fastening Piece	Central pay option
8	111/01005/00	Backplate	Central pay option

# Right Side, Front, Lower Rear and Top Panels

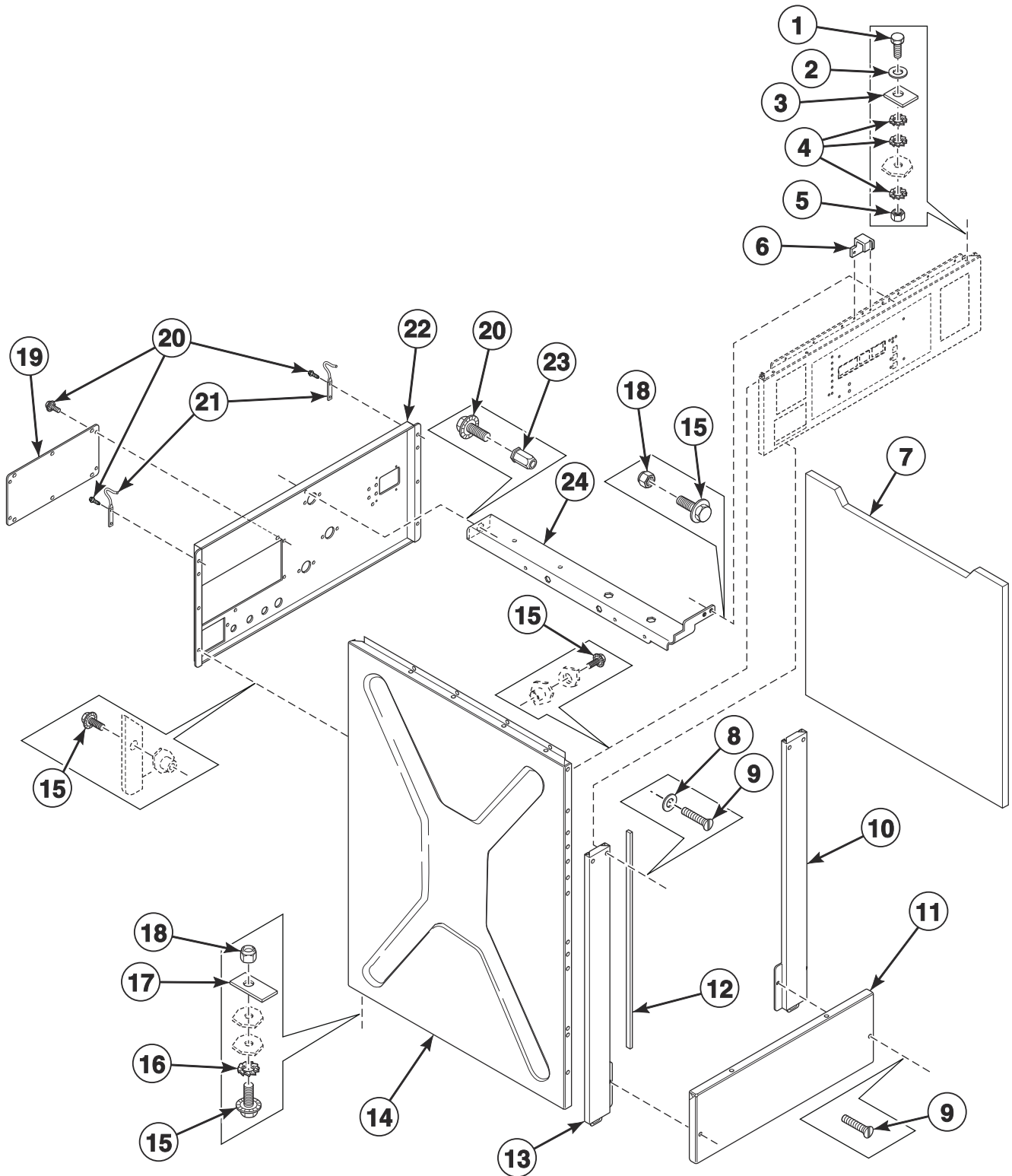


CFD632P\_D1359

## Right Side, Front, Lower Rear and Top Panels

REF	PART NO.	DESCRIPTION	COMMENTS
1	B12319101	Supply Dispenser Cover	US
	B12356701	Supply Dispenser Cover	International
2	B12319201	Supply Dispenser Cover Frame	
3	B12333001	Top Panel	
4	44089303P	Panel Lock	Includes item 5
5	70155603	Key	
6	B12509101	Nut	
7	111/22723/10	Side Panel	*30 and *135 models; Stainless steel
	111/60035/00	Side Panel	*30 and *135 models; Black
	111/22728/10	Side Panel	All other models; Stainless steel
	111/60036/00	Side Panel	All other models; Black
8	206/00104/00	Screw	
9	B12354401	Front Panel	
10	B12337201	Door Frame	
11	111/10089/01	Reinforcement Plate	
12	206/00114/00	Bolt	
13	246/00079/00	Side Panel Gasket	
14	B12332901	Lower Rear Panel	

# Left Side, Lower Front and Upper Rear Panels

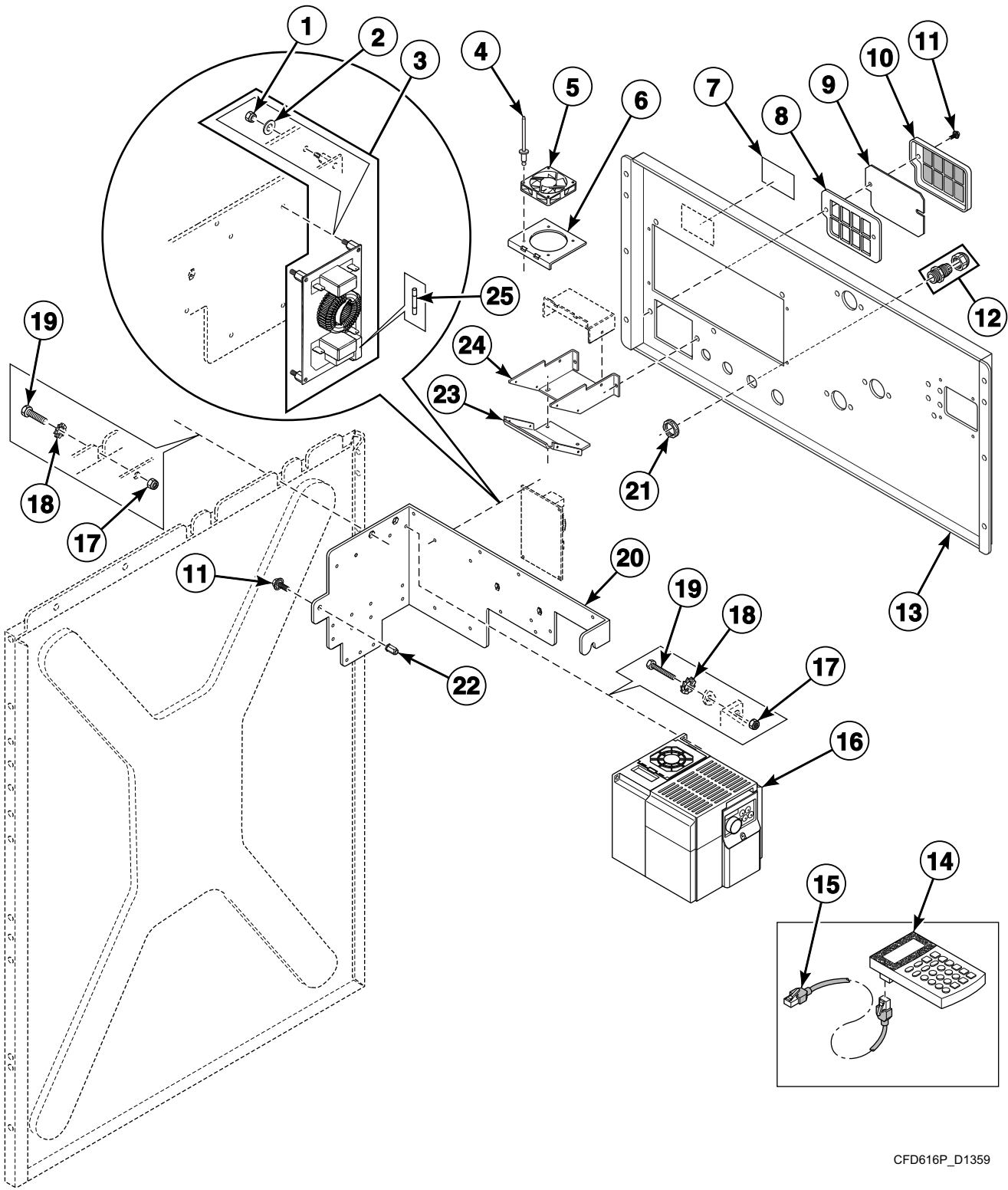


CFD586P\_D1359

## Left Side, Lower Front and Upper Rear Panels

REF	PART NO.	DESCRIPTION	COMMENTS
1	205/00106/00	Bolt	
2	202/00003/00	Washer	
3	117/00042/00	Retaining Ring	
4	203/00005/00	Washer	
5	204/00107/00	Nut	
6	F8201001	Top Cover Latch	
7	246/00079/00	Side Panel Gasket	
8	208/00009/00	Washer	
9	B12500601	Screw	
10	B12354201	Side Plate	Right
11	B12343301	Lower Front Panel	
12	B12525701	Cellular Rubber	
13	B12354301	Side Plate	Left
14	111/22723/10	Side Panel	*30 and *135 models; Stainless steel
	111/60035/00	Side Panel	*30 and *135 models; Black
	111/22728/10	Side Panel	All other models; Stainless steel
	111/60036/00	Side Panel	All other models; Black
15	205/00105/00	Bolt	
16	203/00004/00	Washer	
17	101/00007/00	Outlet Pipe Plate Assembly	
18	204/00009/00	Nut	
19	B12312501	Main Switch Cover	
20	206/00104/00	Screw	
21	B12487401	Top Cover Hinge	
22	B12332801	Backbridge	
23	204/00011/00	Nut	
24	B12333301	Supply Dispenser Crossbar	*30 and *135 models
	B12333401	Supply Dispenser Crossbar	All other models

# Inverter Drive

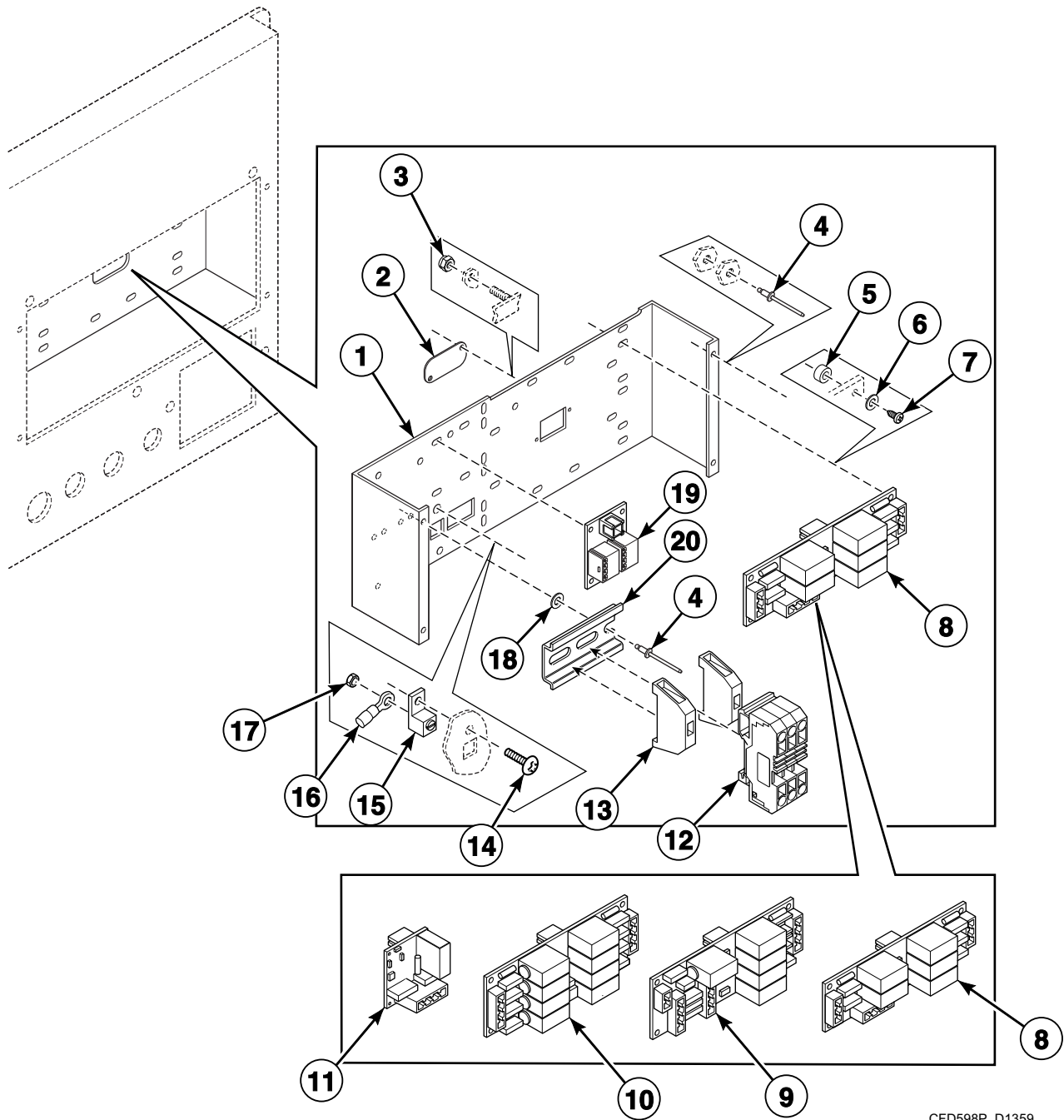


CFD616P\_D1359

# Inverter Drive

REF	PART NO.	DESCRIPTION	COMMENTS
	B12501501	E-Stop Drive Fan Harness	Cygnus models
	B12501502	E-Stop Drive Fan Harness	WE-8 models
	B12495601	Drive Source Harness	WE-8 models; C, N and P-voltage
	B12350101	Ethernet Cable	Cygnus models
1	204/00014/00	Nut	
2	202/00004/00	Washer	
3	B12339401	Noise Filter	30A1; 1x230 Volt; C, Q and X-voltage
	227/00242/00	Noise Filter	8A3; 3x400 Volt; N and P-voltage
4	208/00017/00	Rivet	
5	209/00465/00	Fan	
6	B12357201	Fan Mounting Plate	
7	B12355001	Voltage Discharge Decal	
8	B12372401	Inverter Air Inlet Filter Frame	Inside
9	B12382401	Inverter Air Inlet Filter Grill	
10	B12346701	Inverter Air Inlet Filter Frame	Outside
11	206/00104/00	Screw	
12	200/00181/00	Strain Relief Connector	
13	B12332801	Backbridge	
14	227/00171/00	Parameter Unit Assembly	Hand held
15	227/00171/10	Parameter Unit Program Cable	
16	227/00230/00	Inverter	Cygnus models; 700 series; 1x230 Volt; C, Q and X-voltage
	F8420917	Inverter	WE-8 models; 700 series; 1x230 Volt; C, Q and X-voltage
	227/00238/00	Inverter	Cygnus models; 700 series; 3x400 Volt; N and P-voltage
	F8420918	Inverter	WE-8 models; 700 series; 3x400 Volt; N and P-voltage
17	204/00114/00	Nut	
18	203/00006/00	Washer	
19	206/00088/00	Bolt	
20	B12333201	Inverter Drive Box	
21	211/00170/00	Nut	
22	204/00011/00	Nut	
23	B12342701	Air Inlet Bottom	
24	B12342501	Air Inlet	
25	B12389501	Fuse	3.15 A; 500 Volt; Used with 227/00242/00 Noise Filter; N and P-voltage
	209/00468/00	Fuse	3.15 A; Used with B12339401 Noise Filter; C, Q and X-voltage

# Printboard Support Panel and Soap Injection Printboards - Cygnus Models



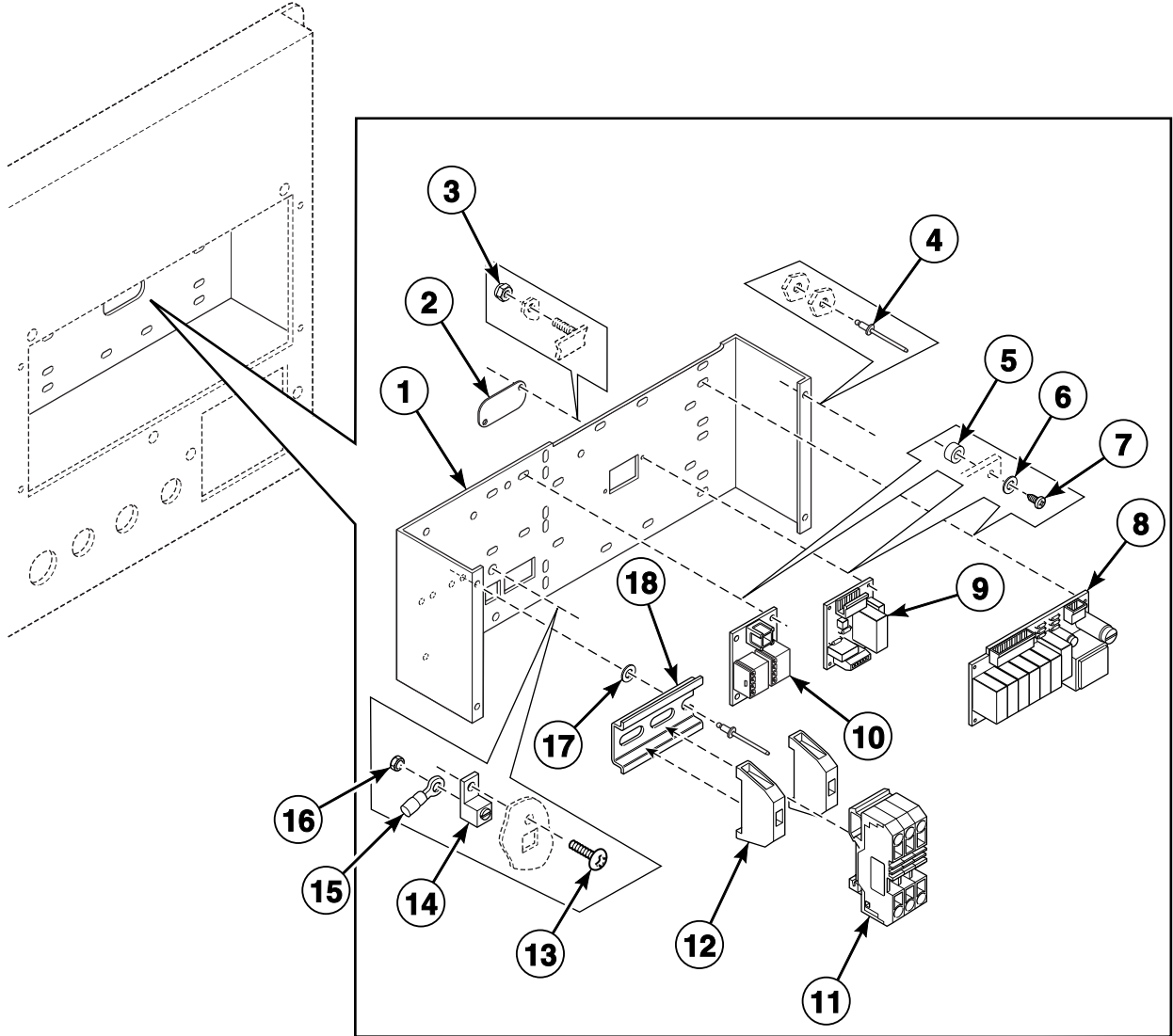
CFD598P\_D1359



## Printboard Support Panel and Soap Injection Printboards - Cygnus Models

REF	PART NO.	DESCRIPTION	COMMENTS
	B12388301	Ribbon Assembly	Used with items 8-11
	B12529201	Extension Board Kit	Used with items 8-11; Includes items 2-7, 18, B12381402 Control Supply Harness, B12388301 Ribbon Assembly, 201616 Transformer, 70030501 Expansion Clip, B12462901 Screw and B12319608 Diagram; Does not include extension board
	B12529301	Network Kit	Includes items 3, 5-7, 19, 211/00128/00 Printboard Separator, B12341801 Printboard and B12390201 Network Connection Wiring
<b>1</b>	B12312401	Printboard Support	
<b>2</b>	B12382501	Flat Cable Plate	
<b>3</b>	204/00116/00	Nut	
<b>4</b>	208/00017/00	Rivet	
<b>5</b>	B12390301	Standoff	
<b>6</b>	223/00123/00	Washer	
<b>7</b>	B12393801	Screw	
<b>8</b>	209/02005/00	Detergent PC-Board	1-5
<b>9</b>	209/02014/00	Relay PC-Board	5-5
<b>10</b>	209/02008/00	Detergent PC-Board	1-8
<b>11</b>	209/02016/00	Relay PC-Board	1-1
<b>12</b>	209/01625/00	Terminal Block	Gray; 3 on C, N, P and Q-voltage; 1 on X-voltage
	209/01624/00	Terminal Block	Blue; 1 on C and X-voltage
	209/01625/01	Terminal End	
<b>13</b>	209/00633/02	End Stop	
<b>14</b>	206/00104/00	Screw	
<b>15</b>	M411283	Ground Lug Connector	
<b>16</b>	B12456001	Wiring Earth for Inverter	
<b>17</b>	206/00101/00	Nut	
<b>18</b>	202/00004/00	Washer	
<b>19</b>	B12344201	Network Board	Network models
<b>20</b>	B12315401	DIN Rail	60 mm

# Printboard Support Panel and Soap Injection Printboards - WE-8 Models

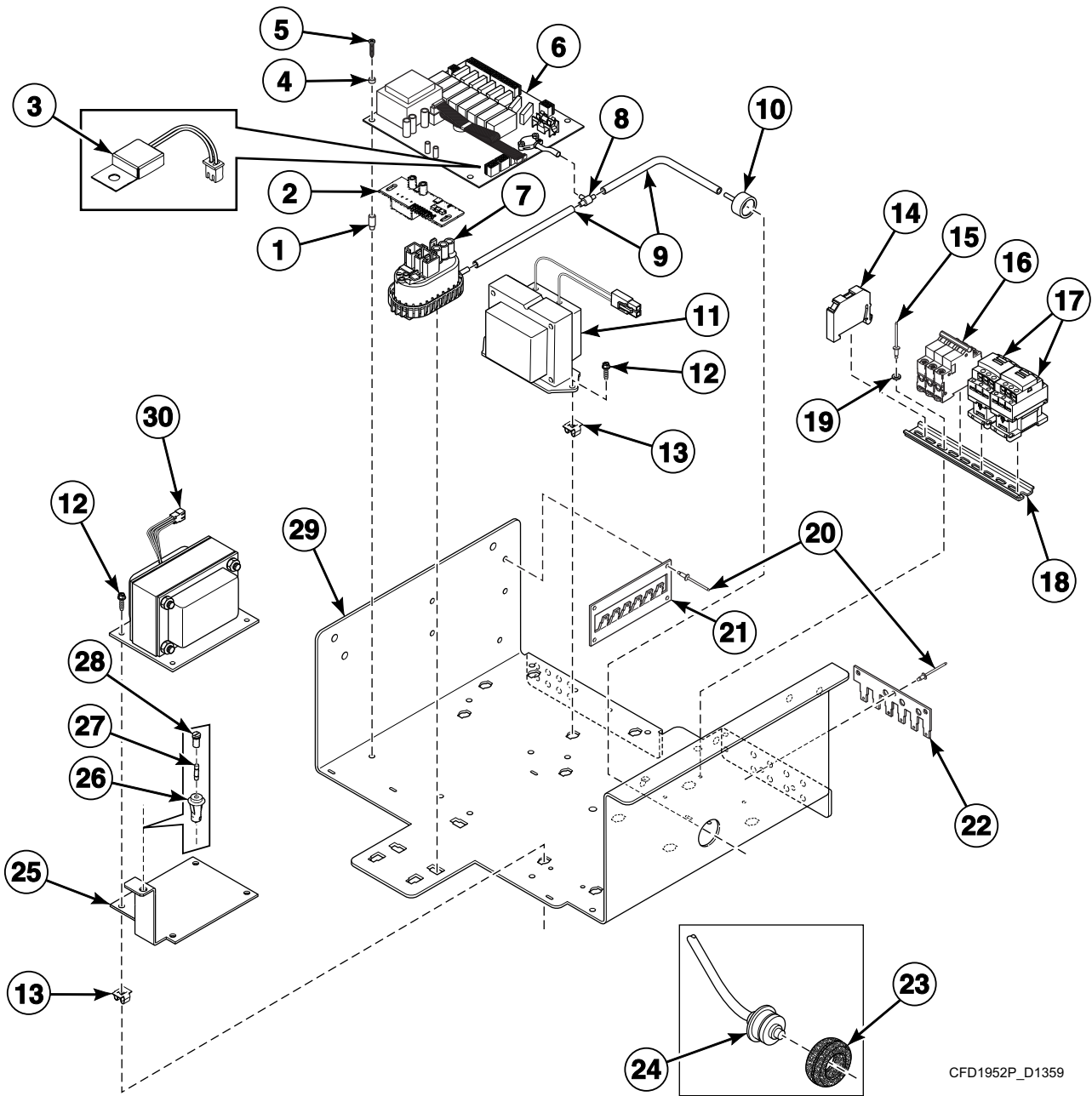


CFD629P\_D1359

## Printboard Support Panel and Soap Injection Printboards - WE-8 Models

REF	PART NO.	DESCRIPTION	COMMENTS
	B12495702	Soap Board Harness	Used with item 9
1	B12312401	Printboard Support	
2	B12382501	Flat Cable Plate	
3	204/00116/00	Nut	
4	208/00017/00	Rivet	
5	B12390301	Standoff	
6	223/00123/00	Washer	
7	B12393801	Screw	
8	209/00218/13	Soap Injection PCB with Fuse	
9	209/00438/50	Central Control Board	240 Volt
10	B12344201	Network Board	Network models
11	209/01625/00	Terminal Block	Gray; 3 on C, N, P and Q-voltage; 1 on X-voltage
	209/01624/00	Terminal Block	Blue; 1 on C and X-voltage
	209/01625/01	Terminal End	
12	209/00633/02	End Stop	
13	206/00104/00	Screw	
14	M411283	Ground Lug Connector	
15	B12456001	Wiring Earth for Inverter	
16	206/00109/00	Nut	
17	202/00004/00	Washer	
18	B12315401	DIN Rail	60 mm

# Electrical Component Mounting Plate - Cygnus Models

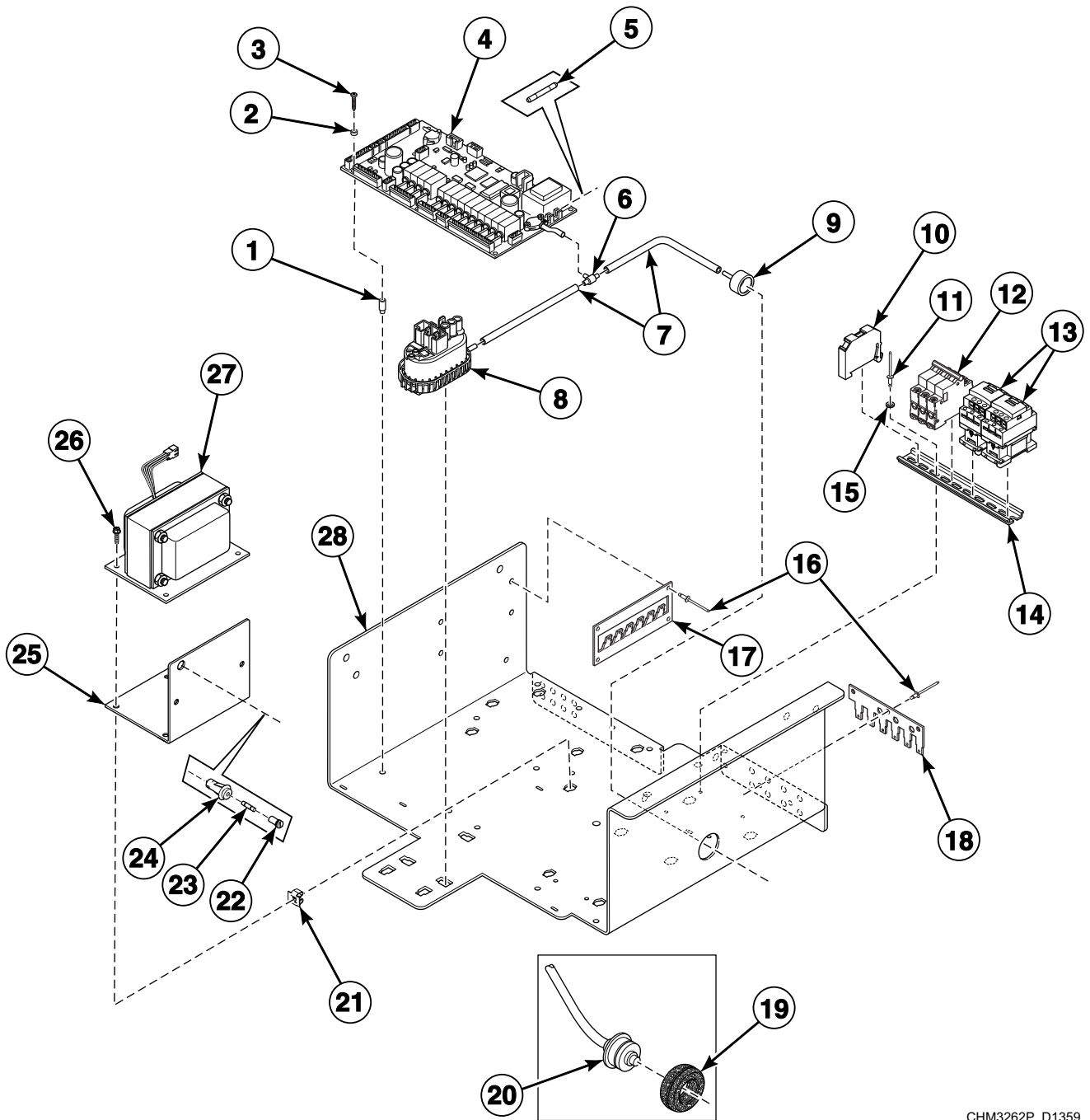


CFD1952P\_D1359

## Electrical Component Mounting Plate - Cygnus Models

REF	PART NO.	DESCRIPTION	COMMENTS
	B12392701	Direct Fill Harness	
	B12381101	Main Control Tray Harness	
	B12348801	Harness Control Comm	
	B12348301	Control Supply Harness	N and P-voltage
	B12348101	Control Supply Harness	C, Q and X-voltage
	B12381402	Control Supply Harness	24 VAC; Direct fill
	B12390201	Network Connection Wiring	
1	B12390301	Standoff	
2	B12341801	Printboard	Network models
3	209/02020/00	ID Chip	
4	223/00123/00	Washer	
5	B12393801	Screw	
6	B12360001	Fuse	1.25A
	B12355701	Control Board	
7	B12509601	Pressure Switch	Single lever; 230/195; Electric, steam and dual heat
8	223/00173/10	Pressure Switch Hose Tee	
9	223/00333/00	Pressure Hose	
10	223/00035/02	Pressure Switch Cap	
11	201616	Transformer	Models with extension boards
12	B12462901	Screw	
13	B12449601	Expansion Clip	N and P-voltage
14	209/00633/02	End Stop	Electric, steam and dual heat
15	208/00017/00	Rivet	
16	B12487101	Circuit Breaker	C and Q-voltage; Electric heat
	B12474601	Circuit Breaker	N and P-voltage; Electric heat
17	209/06148/02	Heating Contactor	1 on C, N and P-voltage; 2 on Q-voltage; Electric heat
18	B12315301	DIN Rail	200 mm
19	202/00004/00	Washer	
20	208/00027/00	Rivet	
21	B12395201	Earth Plate Side	
22	B12395301	Earth Plate Bottom	
23	225/10004/00	Thermostat Seal	
24	210/01064/16	Thermostat	
25	B12439601	Transformer Fuse Mounting Plate	N and P-voltage
26	70329401	Fuse Holder Body	N and P-voltage
27	802492	Fuse	N and P-voltage
28	70329501	Fuse Holder Cap	N and P-voltage
29	B12313001	Electrical Component Mounting Plate	
30	F8401301	Transformer	N and P-voltage

# Electrical Component Mounting Plate - WE-8 Models

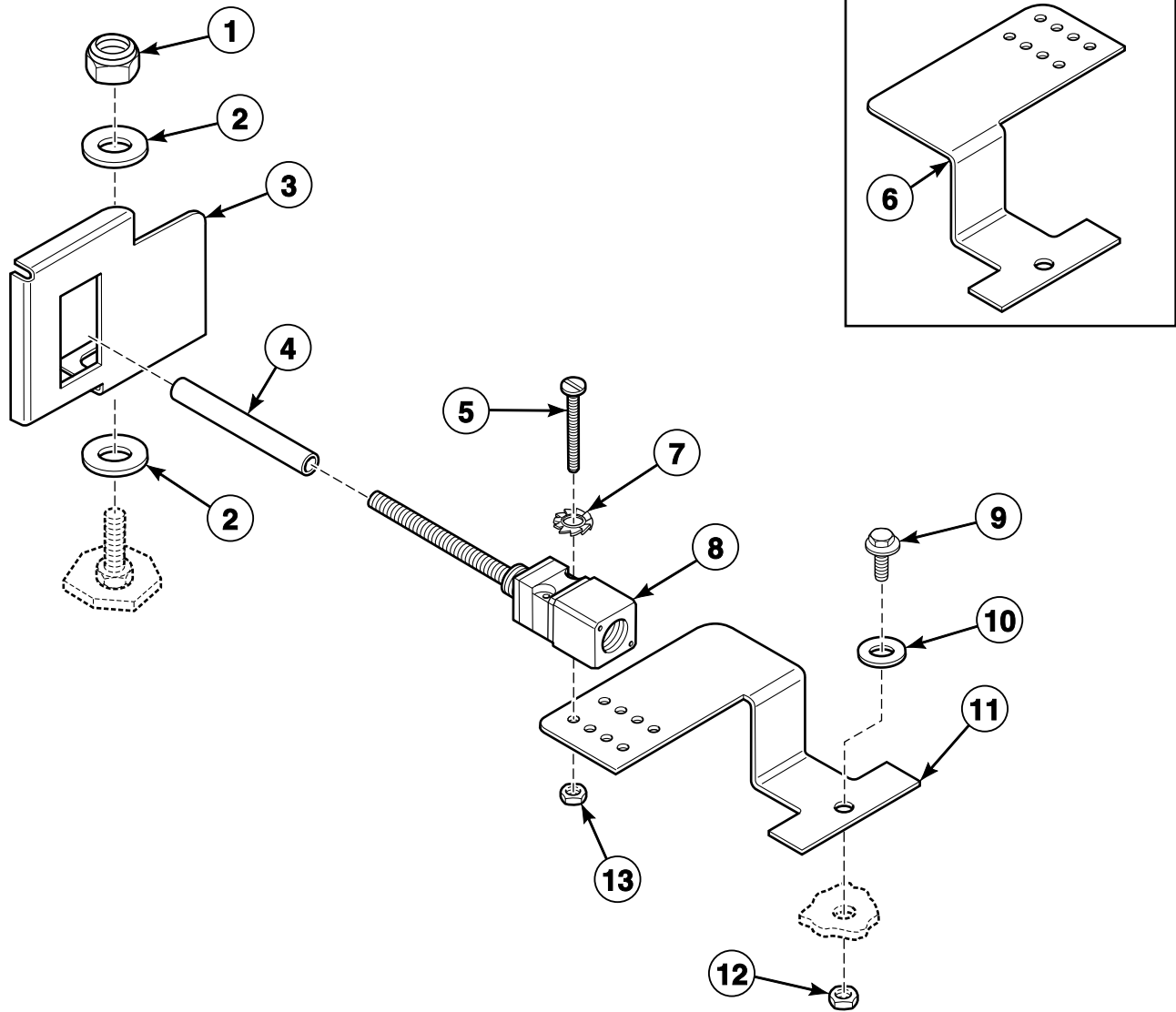


CHM3262P\_D1359

## Electrical Component Mounting Plate - WE-8 Models

REF	PART NO.	DESCRIPTION	COMMENTS
	B12348303	Control Supply Harness	N and P-voltage
	B12348103	Control Supply Harness	C, Q and X-voltage
	B12381103	Main Control Tray Harness	
	B12392704	Direct Fill Harness	240 Volt
1	B12390301	Standoff	
2	223/00123/00	Washer	
3	B12393801	Screw	
4	9002100	Main Control	
5	209/00372/01	Fuse	.125 Amp
6	223/00173/10	Pressure Switch Hose Tee	
7	223/00333/00	Pressure Hose	
8	B12509601	Pressure Switch	Single lever; 230/195; Electric and steam heat
9	223/00035/02	Pressure Switch Cap	
10	209/00633/02	End Stop	Electric, steam and dual heat
11	208/00027/00	Rivet	
12	B12487101	Circuit Breaker	C and Q-voltage; Electric heat
	B12474601	Circuit Breaker	N and P-voltage; Electric heat
13	209/06148/02	Heating Contactor	1 on C, N and P-voltage; 2 on Q-voltage; Electric heat
14	B12315301	DIN Rail	200 mm
15	202/00004/00	Washer	
16	208/00017/00	Rivet	
17	B12395201	Earth Plate Side	
18	B12395301	Earth Plate Bottom	
19	225/10004/00	Thermostat Seal	
20	210/01064/16	Thermostat	
21	B12449601	Expansion Clip	
22	70329501	Fuse Holder Cap	N and P-voltage
23	802492	Fuse	N and P-voltage
24	70329401	Fuse Holder Body	N and P-voltage
25	B12439701	Transformer Fuse Mounting Plate	N and P-voltage
26	B12462901	Screw	
27	F8401301	Transformer	N and P-voltage
28	B12313002	Electrical Component Mounting Plate	

# Balance Switch



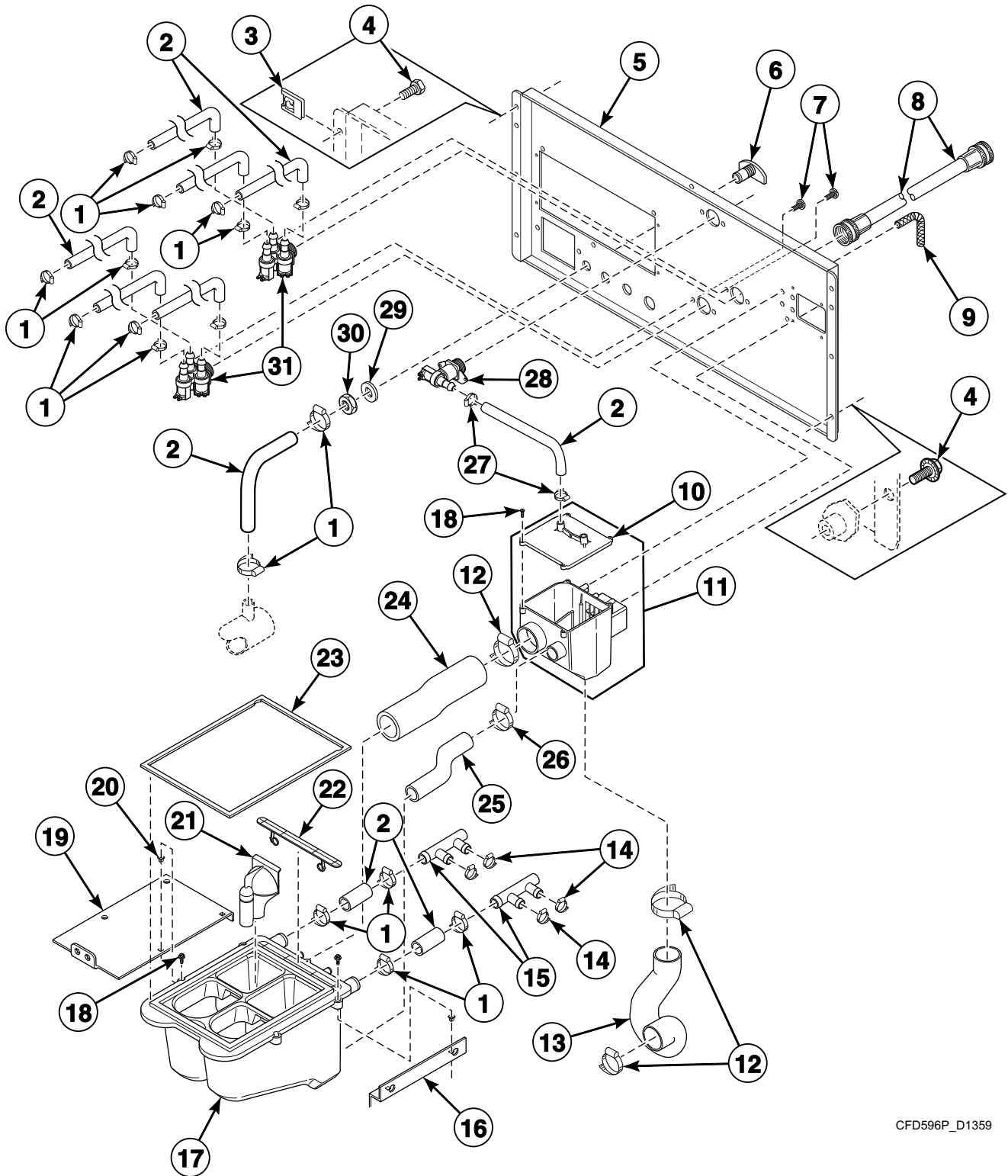
BE000625AP\_D1359



# Balance Switch

REF	PART NO.	DESCRIPTION	COMMENTS
	B12349901	Out-of-Balance Switch Wiring Harness	Cygnus models
	B12349902	Out-of-Balance Switch Harness	WE-8 models
1	204/00110/00	Nut	
2	201/00010/00	Washer	
3	111/01854/00	Tilt Detector Plate	
4	223/00246/00	Out-of-Balance Switch Boot	
5	207/00018/00	Screw	
6	111/01856/00	Tilt Switch Support	Left
7	203/00006/00	Washer	
8	209/00255/00	Out-of-Balance Switch	
9	206/00104/00	Screw	
10	201/00006/00	Washer	
11	111/01855/00	Tilt Switch Support	Right
12	204/00005/00	Nut	
13	204/00007/00	Nut	

# Fill Plumbing Assembly

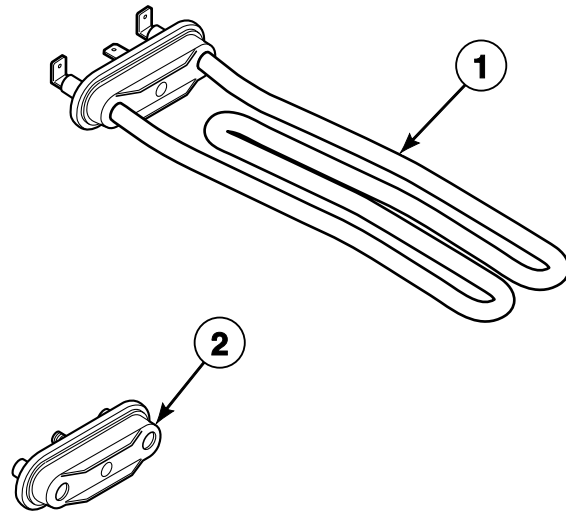


CFD596P\_D1359

## Fill Plumbing Assembly

REF	PART NO.	DESCRIPTION	COMMENTS
	B12349201	Inlet Valve Harness	Cygnus models
	B12349202	Inlet Valve Harness	WE-8 models
1	223/00010/00	Hose Clamp	
2	223/00044/01	Water Hose	
3	B12449601	Expansion Clip	
4	B12462901	Screw	
5	B12332801	Backbridge	
6	223/00001/04	Prewash and Mainwash Nozzle	
7	206/00027/00	Bolt	
8	F200164	Water Hose	Standard thread
	F200166	Water Hose	Metric thread
9	B12687401	Pressure Hose	
10	F8439301	Vacuum Breaker Cover	
11	F8048601	Vacuum Breaker Assembly	Includes item 10
12	223/00014/00	Hose Clamp	
13	B12324506	Siphon Break Hose	
14	223/00011/00	Hose Clamp	
15	F8333201	Manifold	
16	B12316401	Supply Dispenser Support	
17	F8047401	Dispenser Assembly	
18	B12462801	Screw	
19	B12335101	Supply Dispenser Mounting Plate	
20	B12463001	Insert	
21	F8047901	Siphon Cover	
22	F8047801	Access Cover	
23	F8308301	Dispenser Gasket	
24	B12390004	Vacuum Supply Hose	*30 and *135 models
	B12390005	Vacuum Supply Hose	All other models
25	B12313303	Dispenser Overflow Hose	*30 and *135 models
	B12313304	Dispenser Overflow Hose	All other models
26	223/00223/00	Hose Clamp	
27	223/00013/00	Hose Clamp	
28	209/00276/00	Inlet Valve	1-way; Hard water rinse optional; Metric thread
	223/00050/01	Water Valve Adapter	Standard thread
29	201/00002/00	Washer	
30	204/00201/00	Nut	
31	B12496101	Inlet Valve	3-way; Standard thread
	B12496201	Inlet Valve	3-way; Metric thread

# Electric and Steam Heating Options



CFD533P\_D1359

## Electric and Steam Heating Options

REF	PART NO.	DESCRIPTION	COMMENTS
	B12348501	Branch Harness	N and P-voltage
	B12348506	Branch Harness	Q-voltage
	B12348502	Branch Harness	C-voltage
	B12349602	Electric Heat Harness	WE-8 models
	B12349601	Electric Heat Harness	Cygnus models
	B12349801	Dual Heat Harness	Cygnus models
	B12455803	Heat Harness	1; Q-voltage
	B12455804	Heat Harness	2; Q-voltage
	B12455903	Heat Harness	1; C, N and P-voltage
	B12455904	Heat Harness	2; C, N and P-voltage
	B12381301	Heating Contactor	Q-voltage
	B12308001	Relay	Steam heat
	B12349702	Steam Heat Harness	WE-8 models
	B12349701	Steam Heat Harness	Cygnus models
	B12382302	Steam Valve Harness	Cygnus models
	209/00099/25	Switch Base	Dual heat
	209/00099/29	Switch Knob	Dual heat
	B12381204	Power Jumper Harness	Q-voltage
<b>1</b>	209/00564/20	Heating Element	3kW; 275 Volt; N-voltage
	209/00563/20	Heating Element	*30 and *135 models; 2kW; 240 Volt; C, P and Q-voltage
	209/00562/20	Heating Element	All other models; 3kW; 240 Volt; C, P and Q-voltage
<b>2</b>	209/00196/00	Heating Element Plug	



# Parts Index

## A

Access Cover	
F8047801 .....	57
Air Inlet	
B12342501 .....	45
Air Inlet Bottom	
B12342701 .....	45

## B

Backbridge	
B12332801 .....	43, 45, 57
Backplate	
111/01005/00 .....	37, 39
Ball Bearing	
212/00004/00 .....	13
Basket and Shaft Assembly	
B12539501 .....	11, 15
B12539701 .....	11, 15
Bearing	
F100134 .....	13
Bearing Housing Assembly	
152/10118/00 .....	13
152/10118/01 .....	13
Bearing Kit	
3882P .....	13
Bolt	
205/00102/00 .....	13
205/00104/00 .....	13
205/00105/00 .....	43
205/00106/00 .....	23, 43
206/00004/00 .....	15
206/00006/00 .....	17
206/00027/00 .....	57
206/00032/00 .....	11
206/00033/00 .....	19
206/00037/00 .....	9
206/00088/00 .....	45
206/00114/00 .....	41
Branch Harness	
B12348501 .....	59
B12348502 .....	59
B12348506 .....	59

## C

Caddy Bracket	
224/00051/00 .....	13
224/00052/00 .....	13
Cellular Rubber	
B12525701 .....	43
Central Control Board	
209/00438/50 .....	49
Circuit Breaker	
B12474601 .....	51, 53
B12487101 .....	51, 53

Coin Box	
254/00077/00 .....	37, 39

Coin Drop	
B11211209 .....	37
B12311201 .....	37
B12311202 .....	37
B12311203 .....	37
B12311204 .....	37
B12311205 .....	37
B12311206 .....	37
B12311207 .....	37
B12311208 .....	37
B12311210 .....	37
B12311211 .....	37
B12311212 .....	37
B12311214 .....	37
B12311215 .....	37
B12311216 .....	37
B12311218 .....	37
B12311219 .....	37
B12311220 .....	37
B12311221 .....	37
B12311222 .....	37
B12311224 .....	37
B12311225 .....	37
B12311226 .....	37
B12311234 .....	37
B12311235 .....	37
B12311239 .....	37
B12311241 .....	37
B12311244 .....	37
B12311247 .....	37
B12311248 .....	37
B12311249 .....	37
B12311252 .....	37
B12311301 .....	37
B12311302 .....	37
B12311304 .....	37
B12311401 .....	39
B12323401 .....	37
B12323901 .....	37

Contact Harness	
B12491701 .....	25, 27, 31, 35
B12491801 .....	25, 27, 31, 35

Contact Switch	
209/00029/26 .....	25, 27, 31, 35
209/00099/26 .....	25, 27, 31, 35

Control Board	
B12355701 .....	51

Control Supply Harness	
B12348101 .....	51
B12348103 .....	53
B12348301 .....	51
B12348303 .....	53
B12381402 .....	51

Counter Ring	
219/00004/00 .....	15

## D

Data Card Ribbon Assembly	
B12538301 .....	25, 27, 29, 31, 33

N/A items do not appear in index.

Datacard	
209/02024/00 .....	25, 27, 29, 31, 33
Datacard Cover	
223/00348/00 .....	25, 27
Detergent PC-Board	
209/02005/00 .....	47
209/02008/00 .....	47
DIN Rail	
B12315301 .....	51, 53
B12315401 .....	47, 49
Direct Fill Harness	
B12392701 .....	51
B12392704 .....	53
Dispenser Assembly	
F8047401 .....	57
Dispenser Gasket	
F8308301 .....	57
Dispenser Overflow Hose	
B12313303 .....	57
B12313304 .....	57
Display	
209/00580/03 .....	35
Display PC-Board	
209/02002/ZB2 .....	25
Door Frame	
B12337201 .....	23, 41
Door Glass	
217/00023/00 .....	23
Door Glass Seal	
217/00068/00 .....	23
Door Handle	
B12336301 .....	23
B12336302 .....	23
Door Handle Stop	
217/00016/00 .....	23
Door Hinge	
221/00005/00 .....	23
Door Hinge Block	
253/00022/00 .....	23
Door Hinge Spacer	
118/00122/00 .....	23
Door Lock Assembly	
B12403001 .....	21
B12517701 .....	21
Door Lock Harness	
B12495001 .....	21
B12495002 .....	21
Door Lock Microswitch	
209/00272/00 .....	21
Door Lock PC-Board	
B12388201 .....	25, 27, 29, 31, 33
Door Solenoid	
B12495101 .....	21
Door Stop	
118/00126/00 .....	23
Drain Pipe	
223/00106/00 .....	19
Drain Tub to Drain Valve Hose	
B12403101 .....	19
Drain Valve	
209/00075/00 .....	19
Drain Valve Cover	
223/00225/00 .....	19

Drain Valve Fuse Harness	
B12495801 .....	19
Drain Valve Harness	
B12349401 .....	19
Drain Valve Overflow Plug	
223/00086/00 .....	19
Drain Valve to Drain Tube Hose	
223/00328/00 .....	19
Drive Source Harness	
B12495601 .....	45
Dual Heat Harness	
B12349801 .....	59
Dual Heat Sticker	
B12523901 .....	25, 27, 31

---

## E

Earth Plate Bottom	
B12395301 .....	51, 53
Earth Plate Side	
B12395201 .....	51, 53
Electric Heat Harness	
B12349601 .....	59
B12349602 .....	59
Electrical Component Mounting Plate	
B12313001 .....	51
B12313002 .....	53
Electronic Coin Meter Housing	
152/00112/50 .....	39
End Stop	
209/00633/02 .....	47, 49, 51, 53
E-Stop Bypass Harness	
B12349001 .....	29, 33
E-Stop Drive Fan Harness	
B12501501 .....	45
B12501502 .....	45
E-Stop Drive Harness	
B12348903 .....	35
E-Stop Harness	
B12348901 .....	25, 27, 31
B12348902 .....	35
Ethernet Cable	
B12350101 .....	45
Expansion Clip	
B12449601 .....	51, 53, 57
Extension Board Kit	
B12529201 .....	47

---

## F

Fan	
209/00465/00 .....	45
Fan Mounting Plate	
B12357201 .....	45
Fastening Piece	
217/00060/00 .....	37, 39
Fastening Rubber	
247/00006/00 .....	9
247/00007/00 .....	9
Flat Cable Plate	
B12382501 .....	47, 49

N/A items do not appear in index.



Frame	
B12316201 .....	7
B12316301 .....	7
Front Panel	
B12354401 .....	41
Fuse	
B12360001 .....	51
B12389501 .....	45
209/00372/01 .....	53
209/00468/00 .....	45
802492 .....	51, 53
Fuse Holder Body	
70329401 .....	51, 53
Fuse Holder Cap	
70329501 .....	51, 53

## G

Ground Lug Connector	
M411283 .....	47, 49

## H

Harness Control Comm	
B12348801 .....	51
Heat Harness	
B12455803 .....	59
B12455804 .....	59
B12455903 .....	59
B12455904 .....	59
Heating Contactor	
B12381301 .....	59
209/06148/02 .....	51, 53
Heating Element	
209/00562/20 .....	59
209/00563/20 .....	59
209/00564/20 .....	59
Heating Element Plug	
209/00196/00 .....	59
Hose Clamp	
223/00010/00 .....	19, 57
223/00011/00 .....	57
223/00013/00 .....	19, 57
223/00014/00 .....	19, 57
223/00223/00 .....	19, 57

## I

ID Chip	
209/02020/00 .....	51
Infrared Cable Kit	
210/00902/00P .....	25, 27, 29, 31, 33
Inlet Valve	
B12496101 .....	57
B12496201 .....	57
209/00276/00 .....	57
Inlet Valve Harness	
B12349201 .....	57
B12349202 .....	57
Insert	
B12463001 .....	57

Insulating Sticker	
229/00268/00 .....	25
229/00291/00 .....	27, 29
Inverter	
F8420917 .....	45
F8420918 .....	45
227/00230/00 .....	45
227/00238/00 .....	45
Inverter Air Inlet Filter Frame	
B12346701 .....	45
B12372401 .....	45
Inverter Air Inlet Filter Grill	
B12382401 .....	45
Inverter Drive Box	
B12333201 .....	45

## K

Key	
254/00077/02 .....	37, 39
70155603 .....	41
Key Switch Harness	
B12495501 .....	35

## L

Leveling Leg	
252/00006/00 .....	7
Lip Seal	
B12332301 .....	13
Logo Decal	
225/00436/00 .....	35
Lower Front Panel	
B12343301 .....	43
Lower Rear Panel	
B12332901 .....	41

## M

Magnet	
B12389701 .....	23
Main Control	
9002100 .....	53
Main Control Tray Harness	
B12381101 .....	51
B12381103 .....	53
Main Switch Cover	
B12312501 .....	43
Manifold	
F8333201 .....	57
Mechanical Coin Meter Housing	
152/00112/00 .....	37
Memory Card PC-Board	
B12305201 .....	25, 27, 29, 31, 33
Motor	
B12527601 .....	17
Motor Harness	
B12382102 .....	17
Motor Pulley	
226/00123/00 .....	17

N/A items do not appear in index.

Mounting Plate	
223/00374/00 .....	25, 27, 29, 31, 33
Mushroom Pushbutton	
209/00248/00 .....	35
209/00248/20 .....	25, 27, 31

## N

Nameplate	
B12389801 .....	25, 27, 29, 31, 33
Network Board	
B12344201 .....	47, 49
Network Connection Wiring	
B12390201 .....	51
Network Kit	
B12529301 .....	47
Noise Filter	
B12339401 .....	45
227/00242/00 .....	45
Nut	
B12509101 .....	41
204/00005/00 .....	55
204/00007/00 .....	55
204/00008/00 .....	35
204/00009/00 .....	11, 43
204/00011/00 .....	43, 45
204/00014/00 .....	45
204/00106/00 .....	23
204/00107/00 .....	43
204/00109/00 .....	17
204/00110/00 .....	9, 11, 55
204/00111/00 .....	7, 13
204/00114/00 .....	45
204/00116/00 ...	25, 27, 29, 31, 33, 35, 37, 39, 47, 49
204/00201/00 .....	19, 57
206/00101/00 .....	19, 47
206/00106/00 .....	7
206/00109/00 .....	49
211/00170/00 .....	45

## O

Operating Panel	
B12354101 .....	29
B12356201 .....	31
B12356301 .....	33
B12356401 .....	25
B12356501 .....	27
B12436301 .....	35
Operating Sticker	
B12382701 .....	31
B12382801 .....	31
B12382901 .....	33
B12383001 .....	31
B12383101 .....	31
B12383201 .....	33
B12383301 .....	27
B12383401 .....	27
B12383501 .....	29
B12383601 .....	25
B12383701 .....	25
B12456501 .....	33
B12456701 .....	27
B12531801 .....	27, 31
B12531901 .....	27

B12532001 .....	25
Optical Switch	
209/00781/00 .....	37
O-Ring	
217/00021/00 .....	23
Outlet Pipe Plate Assembly	
101/00007/00 .....	19, 43
Out-of-Balance Switch	
209/00255/00 .....	55
Out-of-Balance Switch Boot	
223/00246/00 .....	55
Out-of-Balance Switch Harness	
B12349902 .....	55
Out-of-Balance Switch Wiring Harness	
B12349901 .....	55
Overflow Hose	
223/00100/00 .....	19
Overlay	
B12389802 .....	25, 27, 31, 33
B12389803 .....	31, 33
B12389804 .....	25, 27, 29, 31, 33
B12389805 .....	27, 29
B12389809 .....	31, 33
B12389810 .....	31, 33
F8435601 .....	35
225/00388/00 .....	35
225/00435/00 .....	35

## P

Panel Lock	
44089303P .....	41
Parameter Unit Assembly	
227/00171/00 .....	45
Parameter Unit Program Cable	
227/00171/10 .....	45
Plexi Frame	
225/00321/00 .....	25
225/00322/00 .....	31, 33
225/00323/00 .....	27, 29
Power Jumper Harness	
B12381204 .....	59
Pressure Hose	
B12687401 .....	57
223/00333/00 .....	19, 51, 53
Pressure Switch	
B12509601 .....	51, 53
Pressure Switch Cap	
223/00035/02 .....	19, 51, 53
Pressure Switch Hose Tee	
223/00173/10 .....	19, 51, 53
Prewash and Mainwash Nozzle	
223/00001/04 .....	19, 57
Printboard	
B12341801 .....	51
209/02001/02 .....	31, 33
209/02015/02 .....	27, 29
Printboard Separator	
211/00128/00 .....	25, 27, 29, 31, 33
Printboard Support	
B12312401 .....	47, 49
Printboard Support Card	
111/01893/00 .....	25, 27

N/A items do not appear in index.

Programming Key Contact Switch	
209/00326/20 .....	35
Protection LED	
223/00330/00 .....	31, 33
Pulley	
255/00117/00 .....	15
Pushbutton	
209/00396/00 .....	37, 39

## R

Reed Switch Holder	
B12517601 .....	21
Reinforcement Plate	
111/10089/01 .....	41
Relay	
B12308001 .....	59
Relay PC-Board	
209/02014/00 .....	47
209/02016/00 .....	47
Retainer Ring	
212/00006/00 .....	13
Retaining Ring	
117/00042/00 .....	43
Ribbon Assembly	
B12388301 .....	47
B12388302 .....	35
B12388305 .....	35
Rivet	
B12500301 .....	23
208/00017/00 .....	45, 47, 49, 51, 53
208/00027/00 .....	51, 53

## S

Screw	
B12393801 .....	47, 49, 51, 53
B12462801 .....	57
B12462901 .....	51, 53, 57
B12500601 .....	43
B12500801 .....	23
206/00053/00 .....	7
206/00057/00 .....	13
206/00058/00 .....	17
206/00104/00 .....	41, 43, 45, 47, 49, 55
207/00018/00 .....	55
207/00102/00 .....	21
207/00126/00 .....	23
Seal Plate Assembly	
B12333701 .....	13
Shipping Brace	
185/00009/12 .....	7
Shock Absorber	
247/00002/00 .....	9
247/00002/02 .....	9
247/00003/00 .....	9
247/00004/00 .....	9
Side Panel	
111/22723/10 .....	41, 43
111/22728/10 .....	41, 43
111/60035/00 .....	41, 43
111/60036/00 .....	41, 43

Side Panel Gasket	
246/00079/00 .....	41, 43
Side Plate	
B12354201 .....	43
B12354301 .....	43
Siphon Break Hose	
B12324506 .....	57
Siphon Cover	
F8047901 .....	57
Soap Board Harness	
B12495702 .....	49
Soap Injection PCB with Fuse	
209/00218/13 .....	49
Spacer	
211/00140/00 .....	35
Speed Detector	
210/00074/00 .....	13
Speed Detector Bracket	
152/00055/00 .....	13
Spring Holder Top	
247/00001/04 .....	9
Spring Seat Bottom	
247/00001/03 .....	9
Standoff	
B12390301 .....	47, 49, 51, 53
211/00122/00 .....	25, 27, 29
211/00145/00 .....	25, 27
Steam Heat Harness	
B12349701 .....	59
B12349702 .....	59
Steam Valve Harness	
B12382302 .....	59
Strain Relief Connector	
200/00181/00 .....	45
211/00181/00 .....	17
Supply Dispenser Cover	
B12319101 .....	41
B12356701 .....	41
Supply Dispenser Cover Frame	
B12319201 .....	41
Supply Dispenser Crossbar	
B12333301 .....	43
B12333401 .....	43
Supply Dispenser Mounting Plate	
B12335101 .....	57
Supply Dispenser Support	
B12316401 .....	57
Suspension Spring	
247/00001/01 .....	9
247/00002/01 .....	9
Switch Base	
209/00099/25 .....	59
Switch Knob	
209/00099/29 .....	25, 27, 31, 59

## T

Telem Sticker	
209/00520/00 .....	25, 27, 31, 35
Terminal Block	
209/01624/00 .....	47, 49
209/01625/00 .....	47, 49

N/A items do not appear in index.

Terminal End		201/00003/00 .....	15
209/01625/01 .....	47, 49	201/00005/00 .....	7
Thermostat		201/00006/00 .....	55
210/01064/16 .....	51, 53	201/00007/00 .....	11, 19
Thermostat Seal		201/00010/00 .....	9, 11, 55
225/10004/00 .....	51, 53	201/00012/00 .....	13
Tilt Detector Plate		201/00015/00 .....	9, 17
B12529401 .....	11	201/00201/00 .....	13
111/01854/00 .....	55	202/00003/00 .....	13, 43
Tilt Switch Support		202/00004/00 .....	45, 47, 49, 51, 53
111/01855/00 .....	55	202/00101/00 .....	23
111/01856/00 .....	55	202/00104/00 .....	23
Tolerance Ring		202/00110/00 .....	23
215/00004/00 .....	15	203/00001/00 .....	15
Top Cover Hinge		203/00004/00 .....	13, 43
B12487401 .....	43	203/00005/00 .....	43
Top Cover Latch		203/00006/00 .....	45, 55
F8201001 .....	43	203/00007/00 .....	35
Top Panel		208/00009/00 .....	43
B12333001 .....	41	223/00123/00 ....	25, 27, 29, 31, 33, 35, 47, 49, 51, 53
111/01003/00 .....	37, 39	Water Hose	
Transformer		F200164 .....	57
F8401301 .....	51, 53	F200166 .....	57
201616 .....	51	223/00044/01 .....	19, 57
Transformer Fuse Mounting Plate		Water Valve Adapter	
B12439601 .....	51	223/00050/01 .....	57
B12439701 .....	53	Wire Harness Assembly	
Tub		B12309901 .....	37, 39
B12328901 .....	11	B12310001 .....	37, 39
B12329001 .....	11	Wiring Earth for Inverter	
B12329201 .....	11	B12456001 .....	47, 49
B12329301 .....	11	Wiring Earth for Tub	
Tub Front Gasket		B12456002 .....	11
B12351601 .....	11		
Tub Front Panel			
B12533201 .....	11		
Tub Front Panel Clip			
217/00008/00 .....	11		
Tub Front Ring Clamp			
219/00007/00 .....	11		
Tub Support			
B12508601 .....	7		
B12508701 .....	7		

---

## V

V Belt		226/00121/00 .....	15, 17
Vacuum Breaker Assembly		F8048601 .....	57
Vacuum Breaker Cover		F8439301 .....	57
Vacuum Supply Hose		B12390004 .....	57
B12390005 .....	57	B12390005 .....	57
Voltage Discharge Decal		B12355001 .....	45

---

## W

Washer		201/00002/00 .....	19, 57
--------	--	--------------------	--------

N/A items do not appear in index.